

Barudan

HIGH SPEED AUTOMATIC EMBROIDERY MACHINE

MODEL **BEMR-YS**
BEMS-YS
BEMX-YS

PARTS LIST

BARUDAN CO., LTD.

ADDRESS 20-TSUKAGOSHI, JOSUJI
ICHINOMIYA-CITY · AICHI-PREF ·
JAPAN

TEL. <0586 >76-1137
TELEX 4573268 BARUNA J
CABLE BARUNA ICHINOMIYA

BEMR-YS • BEMS-YS
BEMX-YS
HIGH SPEED AUTOMATIC EMBROIDERY
MACHINE PARTS LIST

CONTENTS

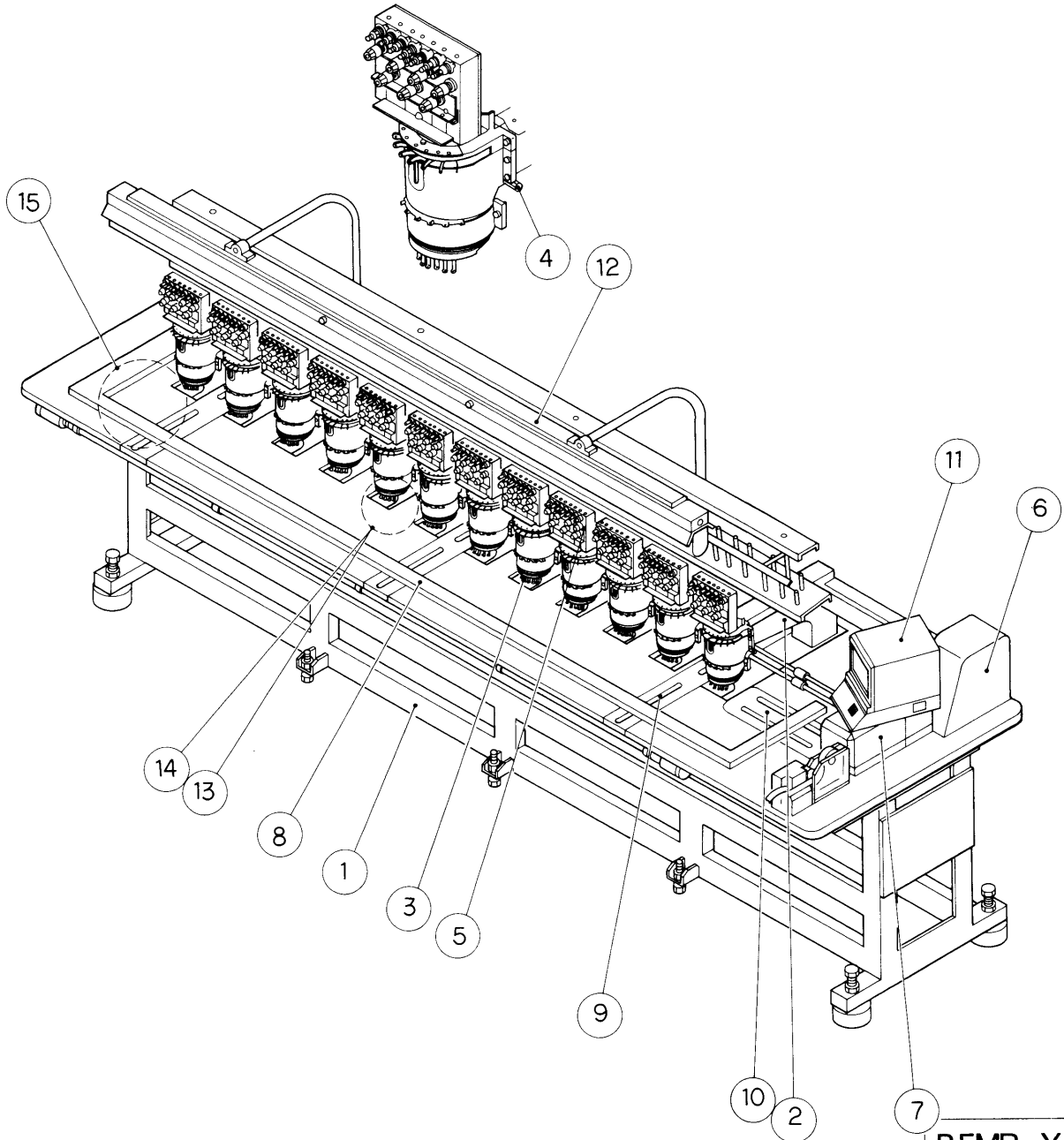
ITEM No.	Page No.
Machine layout $\left\{ \begin{array}{l} \text{BEMR-YS} \\ \text{BEMS-YS} \\ \text{BEMX-YS} \end{array} \right\}$	1
①Table • Frame	2
②Sewing head assembly	4
③Take up lever mechanism	6
④Needle bar • Jump mechanism	8
⑤Thread guide mechanism (7 • 5)	10
⑥Drive mechanism	12
⑦Color change mechanism	14
⑧Pantograph drive mechanism I (V • H-Direction)	16
⑨Pantograph drive mechanism II (H-Direction)	18
⑩Pantograph drive mechanism III (V-Direction)	20
⑪Control system <BEMR-YS>	22
⑪Control system <BEMS-YS>	24
⑪Control system <BEMX-YS>	26
⑫Option	28
⑬Thread cutting mechanism I	30
⑭Thread cutting mechanism II	32
⑮Thread cutting drive mechanism III	34
⑯Under thread cut sensorium mechanism (7 • 5)	36
INDEX	38

Please specify, in the following manner, your machine model, manufacturing number and embroidery space when you order us with the parts having ※ at the end of the part No. :

Barudan

Machine layout

BEMR	-YS
BEMS	-YS
BEMX	-YS

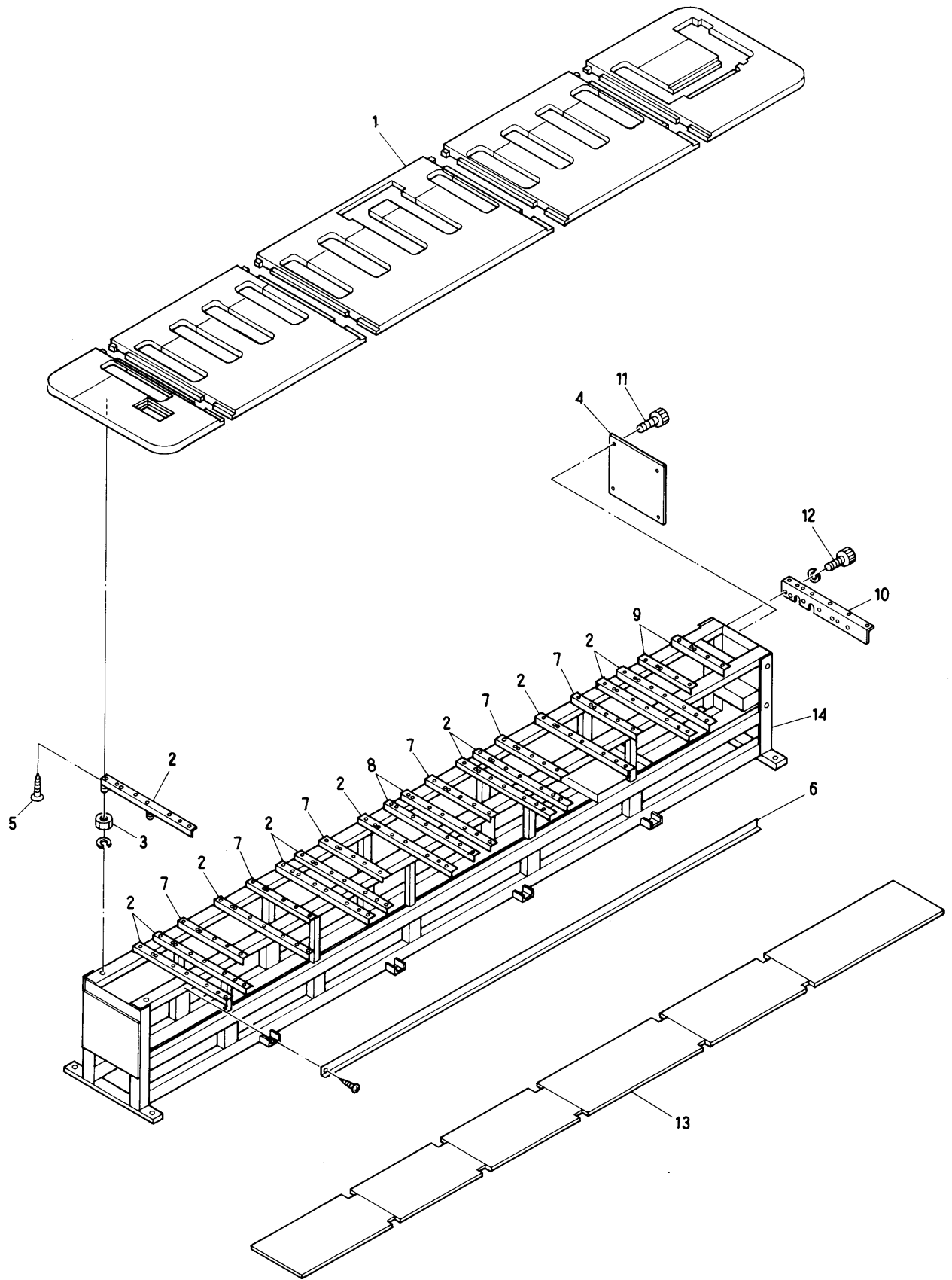


BEMR	-YS
BEMS	-YS
BEMX	-YS

MODEL

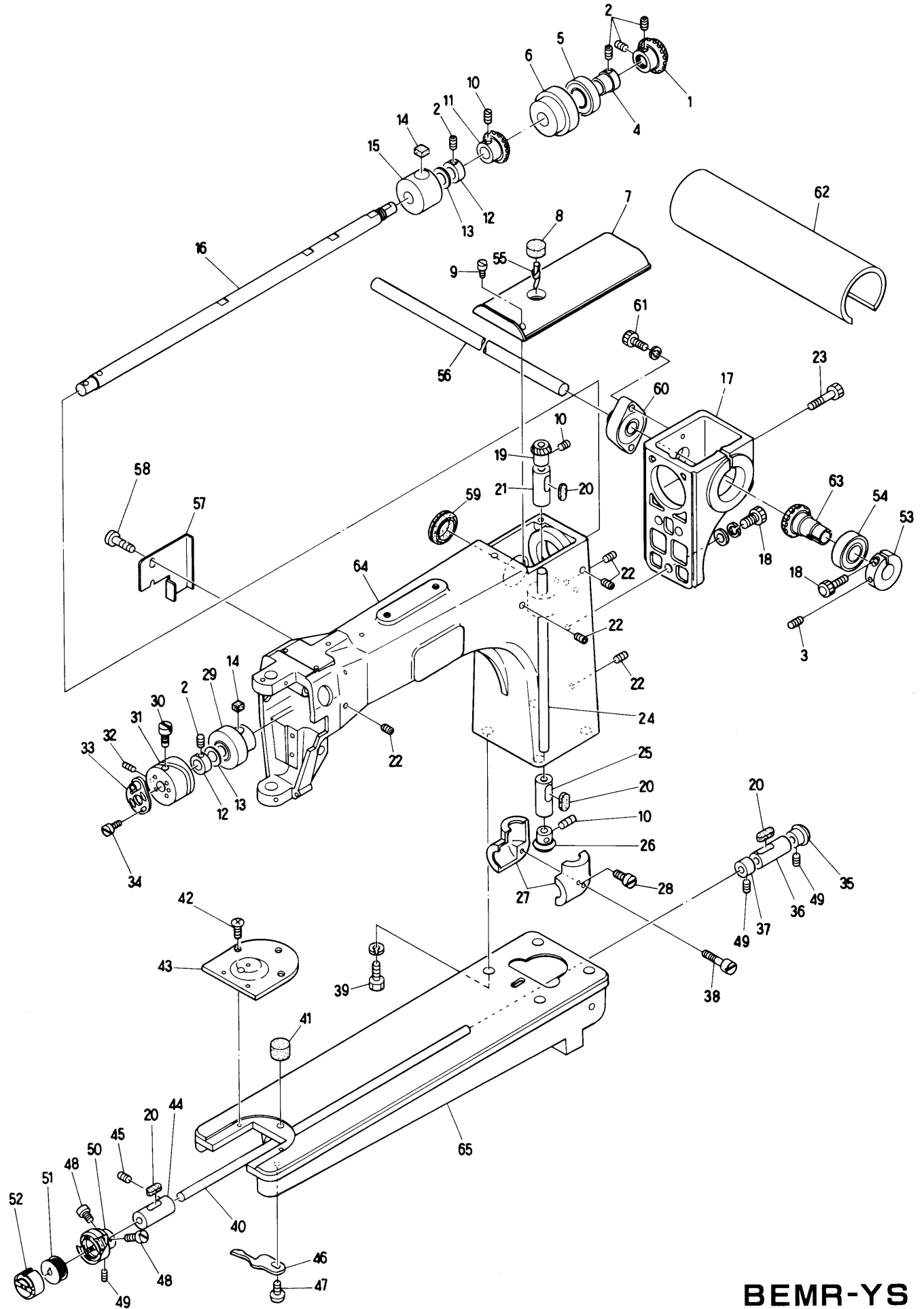
BEMR	-YS
BEMS	-YS
BEMX	-YS

From the library of: Diamond Needle Corp



From the library of: Diamond Needle Corp

MODEL
BEMR-YS
BEMS-YS
BEMX-YS



From the library of: Diamond Needle Corp

MODEL
BEMR-YS
BEMS-YS
BEMX-YS

② Sewing head a'ssy

ITEM	LIST No.	DESCRIPTION	Q'TY	REMARK
1	KL 2 2 0 1 0 0	Top shaft gear	1	
2		Hex. socket set screw M6×6		
3		Hex. socket set screw M6×10		
4	KL 2 2 0 0 9 0	Top shaft bearing collar	1	
5	A 9 0 1 0 0 1 7	Bearing (6004ZZ)	1	
6	KL 2 2 0 0 4 0	Top shaft bearing case	1	
7	KL 2 5 0 0 4 0	Arm top cover	1	
8	KL 2 2 0 1 5 0	Oil felt D	1	
9		Screw M4×10		
10		Screw (SM1/4 40×4)		
11	KF 2 2 0 1 3 0	Bevel gear (Top shaft)	1	
12	KL 2 2 0 0 8 0	Top shaft collar	2	
13	HP 2 3 1 3 9 0	Thrust washer (Top shaft gear)	2	
14	KL 2 2 0 1 3 0	Oil felt B	2	
15	KL 2 2 0 0 3 0	Top shaft metal (Middle)	1	
16	KL 2 2 0 0 0 0	Top shaft	1	
17	KL 2 1 0 1 4 0	Arm gear case	1	
18		Hex. socket bolt M6×25		
19	KF 2 2 0 4 6 0	Bevel gear (Vertical shaft upper)	1	
20	KL 2 2 0 1 4 0	Oil felt C	4	
21	KL 2 2 0 0 5 0	Vertical shaft metal (upper)	1	
22		Hex. socket set screw M6×8		
23		Hex. socket bolt M6×60		
24	KL 2 2 0 0 1 0	Vertical shaft		
25	KL 2 2 0 0 6 0	Vertical shaft (Lower)	1	
26	KF 2 2 0 4 7 0	Bevel gear (Vertical shaft lower)	1	
27	KF 2 2 0 2 7 0	Gear cover set	1	
28		Screw (SM15/64 28×24)		
29	KL 2 2 0 0 2 0	Top shaft metal (Front)	1	
30	KF 2 3 0 4 2 0	Cam set screw	1	
31	KB 2 3 0 0 3 0	Take up lever cam K6	1	For small bobbin
	KB 2 3 0 0 4 0	Take up lever cam L1	1	For middle bobbin
32		Screw (SM15/64 28×10)		
33	KB 2 3 0 0 5 0	90° Clamping	1	
34	A 9 0 1 2 0 0 7	Screw	6	
35	KF 2 2 0 4 8 0	Bevel gear (Bottom shaft)	1	
36	KL 2 2 0 0 7 0	Bottom shaft metal (Rear)	1	
37	KF 2 2 0 2 9 0	Bottom shaft collar	1	
38		Screw (SM9/32 20×38)		
39		Hex. bolt M12×35		
40	KC 2 2 0 2 1 0	Bottom shaft	1	
41	KL 2 2 0 1 2 0	Oil felt A	1	
42	KF 2 5 0 9 0 0	Needle plate set screw (SM11/64 40×7)	2	
43	KN 2 5 0 1 3 1	Needle plate	1	
44	KF 2 2 0 2 3 0	Bottom shaft(Front)	1	

From the library of: Diamond Needle Corp

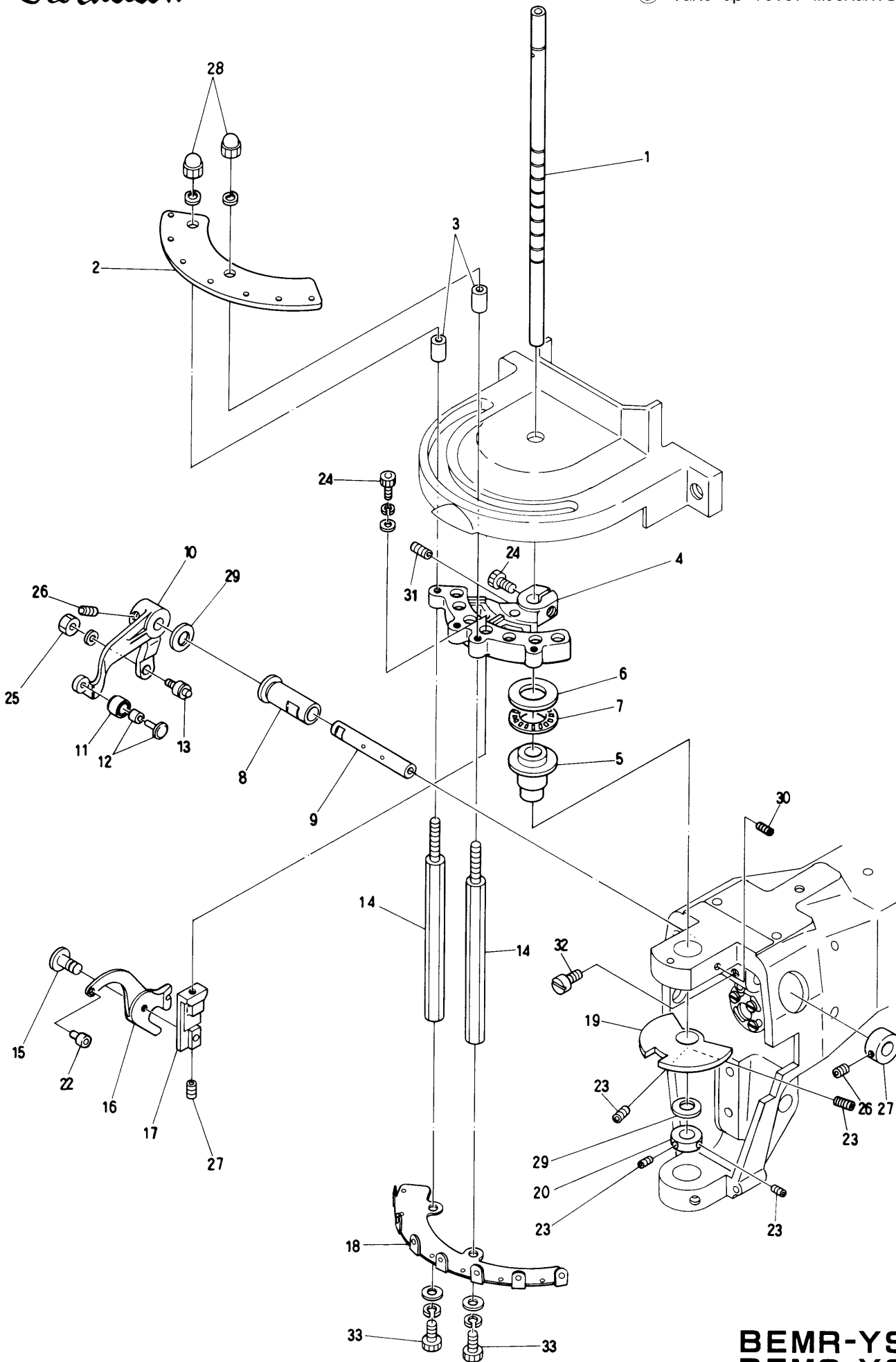
② Sewing head assy

(※Change the LIST No. by machine type)

ITEM	LIST No.	DESCRIPTION	QTY	REMARK
4 5		Hex. socket set screw M6×8		
4 6	K F 2 2 0 5 1 0	Rotating hook bobbin case holder poition bracket	1	
4 7		Screw (SM11/64 40×7)		
4 8		Screw (SM11/64 40×5)		
4 9		Screw (SM11/64 40×4)		
5 0	K F 2 2 0 7 5 0	Rotating hook complete KHS 12-RYNW	1	For small bobbin
	H B 2 2 0 0 1 0	Rotating hook complete (HSM-A-MQTS)	1	For middle bobbin
5 1	K F 2 2 0 4 1 0 0	Bobbin	1	For small bobbin
	K F 2 2 0 4 2 1	Bobbin HSM(DBM)	1	For middle bobbin
5 2	K F 2 2 0 4 4 0	Bobbin case (SC35-NS)	1	For small bobbin
	K F 2 2 0 3 0 2	Bobbin case BC-DBM(72)	1	For middle bobbin
5 3	K L 3 2 0 0 2 0	Connecting gear clamp φ19	1	
5 4	A 9 0 1 0 0 1 7	Bearing (6004ZZ)	1	
5 5		Oil core	1	
5 6	K C 3 2 0 8 2 0	Top shaft connecting	2	
5 7	K L 2 5 0 0 5 1	Arm side cable cover	1	
5 8		Binding screw M4×8		
5 9	A 9 0 1 4 1 6 3	Grommet C-30-SG-36A	1	
6 0	H P 3 2 1 1 4 0	Upper connecting shaft beaing unit	1	
6 1		Hex. socket bolt M6×30		
6 2	1 P E 1 5 3 2 0 3 5 0	Connecting shaft cover set (MSA-15 320/350)	1	※
6 3	K L 3 2 0 0 0 0	Connecting gear (Spiral bevel M1.5-25L)	1	
6 4	K B 2 1 0 1 6 0	Arm	1	
6 5	K N 2 1 0 2 1 0	Bed	1	For small bobbin
	K B 2 1 0 1 8 0	Bed	1	For middle bobbin

Barudan

③ Take up lever mechanism



MODEL
BEMR-YS
BEMS-YS
BEMX-YS

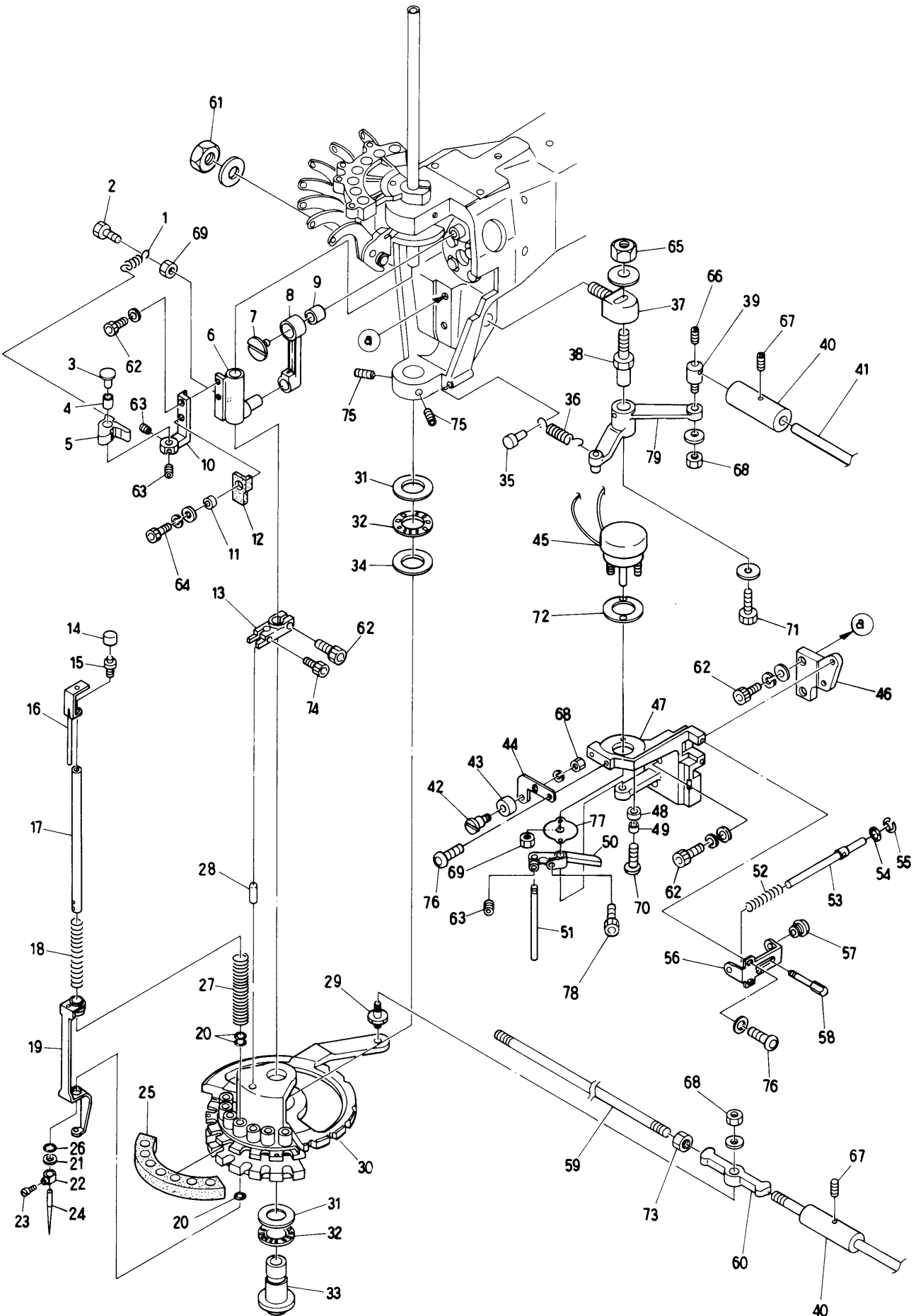
From the library of: Diamond Needle Corp

③ Take up lever mechanism

(N = Needle Q'TY)

ITEM	LIST No.	DESCRIPTION	Q'TY	REMARK
1	KB230161	Driving shaft	1	
2	HB240180	Thread guide plate (7)	1	
	HB240290	Thread guide plate (5)	1	
3	KB240021	Thread fixing collar	2	
4	HB230291	Take up lever fixing bracket	1	
5	KB230090	Driver shaft upper metal	1	
6	A9011152	Thrust needle bearing innerring (WS1528)	1	
7	A9011021	Thrust bearing NTB-1528	1	
8	KB230100	Take up lever driving shaft metal	1	
9	KB230110	Take up lever driving shaft	1	
10	KB230120	Take up lever driving lever	1	
11	HB230320	Take up lever driving roller	1	
12	HB230331	Take up lever driving roller shaft	1	
13	KF230500	Take up lever roller a'ssy	1	
14	KB240010	Thread fixing rod	2	
15	HB230310	Take up lever shaft	1	
16	KB230150	Take up lever	N×1	
17	KB230141	Take up lever base	N×1	
18	HB240171	Thread hanger (7)	1	
	HB240280	Thread hanger (5)	1	
19	KB230130	Take up lever sttocker	1	
20	HB230160	Driving shaft set collar	1	
21	HB230270	Needle bar driving lever fixed pin set collar	1	
22	KF230580	Take up lever thread eyelet ceramic	N×1	
23		Hex. socket set screw M4×4		
24		Hex. socket bolt M4×12		
25		Hex. nut SM7/32		
26		Hex. socket set screw M5×6		
27		Hex. socket set screw M3×5		
28		Cap nut M4		
29	A9012164	Thrust washer (R-TW0815)	2	
30		Hex. socket set screw M6×6		
31		Hex. socket set screw (C.P) M4×5		
32		Screw (SM11/64×11)		
33		Cap bolt M4×6		
34		Hex. socket bolt M4×15		
35	HB230650	Screw (with adhesion)	1	

From the library of: Diamond Needle Corp



MODEL
BEMR-YS
BEMS-YS
BEMX-YS

④ Needle bar ▪ Jump mechanism (※Change the LIST No. by machine type)

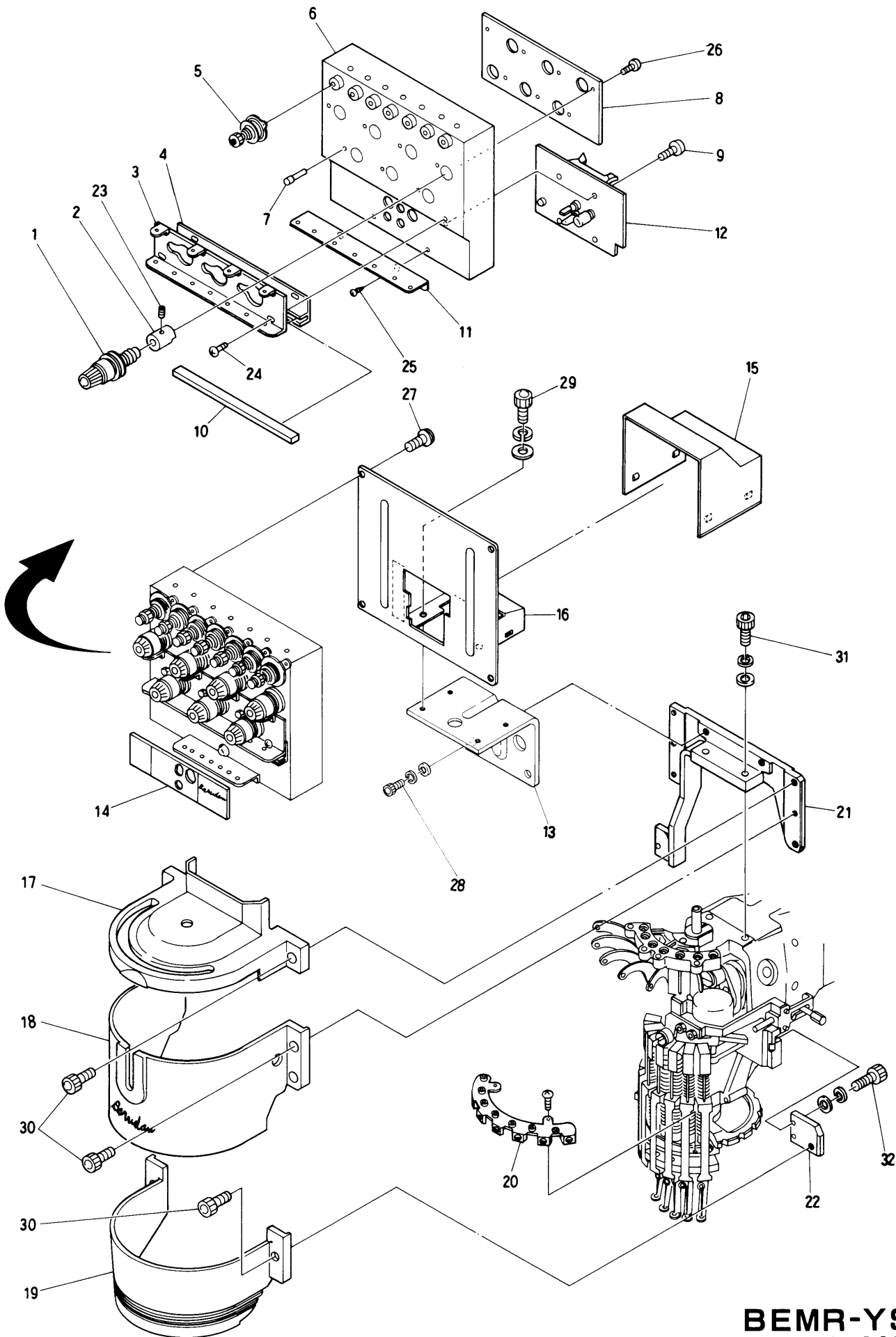
ITEM	LIST No.	DESCRIPTION	QTY	REMARK
1	HB230400	Needle bar driver return spring	1	
2	HB230590	Screw for return spring	1	
3	HB230390	Needle bar driver fixing pin	1	
4	A9012190	DU Bush (MBO606DU)	1	
5	HB230381	Needle bar driver	1	
6	KB230080	Needle bar driver guide block	1	
7	KB230070	90° Crank left-handed screw	1	
8	KB230060	Crank rod	1	
9	A9011115	Needle bearing (K9×12×10T2)	1	
10	HB230371	Needle bar driver fixing base	1	
11	HB230420	Needle bar driver stopper set collar	1	
12	HB230414	Needle bar driver stopper	1	
13	HB230170	Driving shaft fixed plate	1	
14	KN231350	Needle bar cap	N×1	
15	HB230531	Needle bar guide fitting screw	N×1	
16	HB230521	Needle bar guide	N×1	
17	HB230510	Needle bar	N×1	
18	HB230540	Needle bar spring (upper)	N×1	
19	KG230020	Pressure foot	N×1	
20	KF230910	O-Ring (S)	N×3	
21	KF230930	Spacer	N×1	
22	KF230230	Needle Clamp	N×1	
23	KF230240	Needle clamp screw (SM9/64 40)	N×1	
24	KF230250	Needle (DBK5-11)	N×1	
25	KN231700	Turret plate oil pad	1	
26	KF230920	O-Ring (L)	N×1	
27	KF230210	Pressure foot spring	N×1	
28	A9012291	Parallel pin φ 5×14ℓ	1	
29	HB230550	Turret plate joint pin	1	
30	HB230441	Turret plate (5)	1	
	HB230431	Turret plate (7)	1	
31	A9011023	Thrust bearing outer (GS1528)	2	
32	A9011021	Thrust bearing (NTB-1528)	2	
33	HB230140	Driver shaft under metal	1	
34	A9011022	Thrust washer (AS-1528)	1	
35	KF230670	Lock lever spring pin	1	
36	KF230661	Lock lever spring	1	
37	KF230650	Lock lever bracket	1	
38	KF230630	Lock lever shaft	1	
39	KF230640	Lock connecting bar clamp	1	
40	KF330381	Lock bar hand grip	2	
41	KC330410	Lock connecting rod (2M)	3	
42	HB230460	Needle bar stopper fixixed pin	1	
43	HB230470	Needle bar stopper	1	
44	KB230170	Needle bar stopper fixed bracket	1	

From the library of: Diamond Needle Corp

④ Needle bar • Jump mechanism

(N=Needle Qty)

ITEM	LIST No.	DESCRIPTION	Q'TY	REMARK
45	A9056020	Rotary solenoid (3FR35-35×3×8×9) L=45	1	
46	KB210170	Solenoid bracket fixing base	1	
47	KB240030	Jump solenoid fixing bracket	1	
48	HB240050	Eccentric collar	1	
49	HB240040	Eccentric stopper	2	
50	HB240020	Jump solenoid lever	1	
51	HB240030	Jump solenoid lever pin	1	
52	HB240110	Cancel return spring	1	
53	HB240070	Cancel rod	1	
54	A9014051	O-Ring P-5	1	
55	A9012051	E-Ring φ6	1	
56	KB240040	Cancel bracket	1	
57	HB240090	Cancel rod guide	1	
58	HB240080	Manual cancel pin	1	
59	KC330310380	Turret plate connecting rod (L=250)	1	※
60	A9012005	Uniball joint (NMBRD4-020N)	1	first head
	A9012003	Uniball joint (NMBRD4-020L)	1	final head
61		Hex. nut M10		
62		Hex. socket bolt M4×12		
63		Hex. socket set screw M4×4		
64		Hex. socket bolt M4×15		
65		Hex. nut M8		
66		Hex. socket set screw M4×6		
67		Hex. socket set screw M5×5		
68		Hex. nut M4		
69	KL230180	Lock lever		
70		Hex. socket button bolt M4×12		
71		Hex. socket bolt M5×10		
72	HB230560	Sheet for rotary solenoid	1	
73		Hex. nut M5		
74		Hex. socket bolt M3×12		
75	A9012053	Hex. socket set screw M6×0.75×8	2	
76		Hex. socket button bolt M4×10		
77	HB230580	Solenoid prevention noise cover	1	
78		Hex. socket bolt M4×8		
79	HB240310	Eccentric collar (φ12)	1	



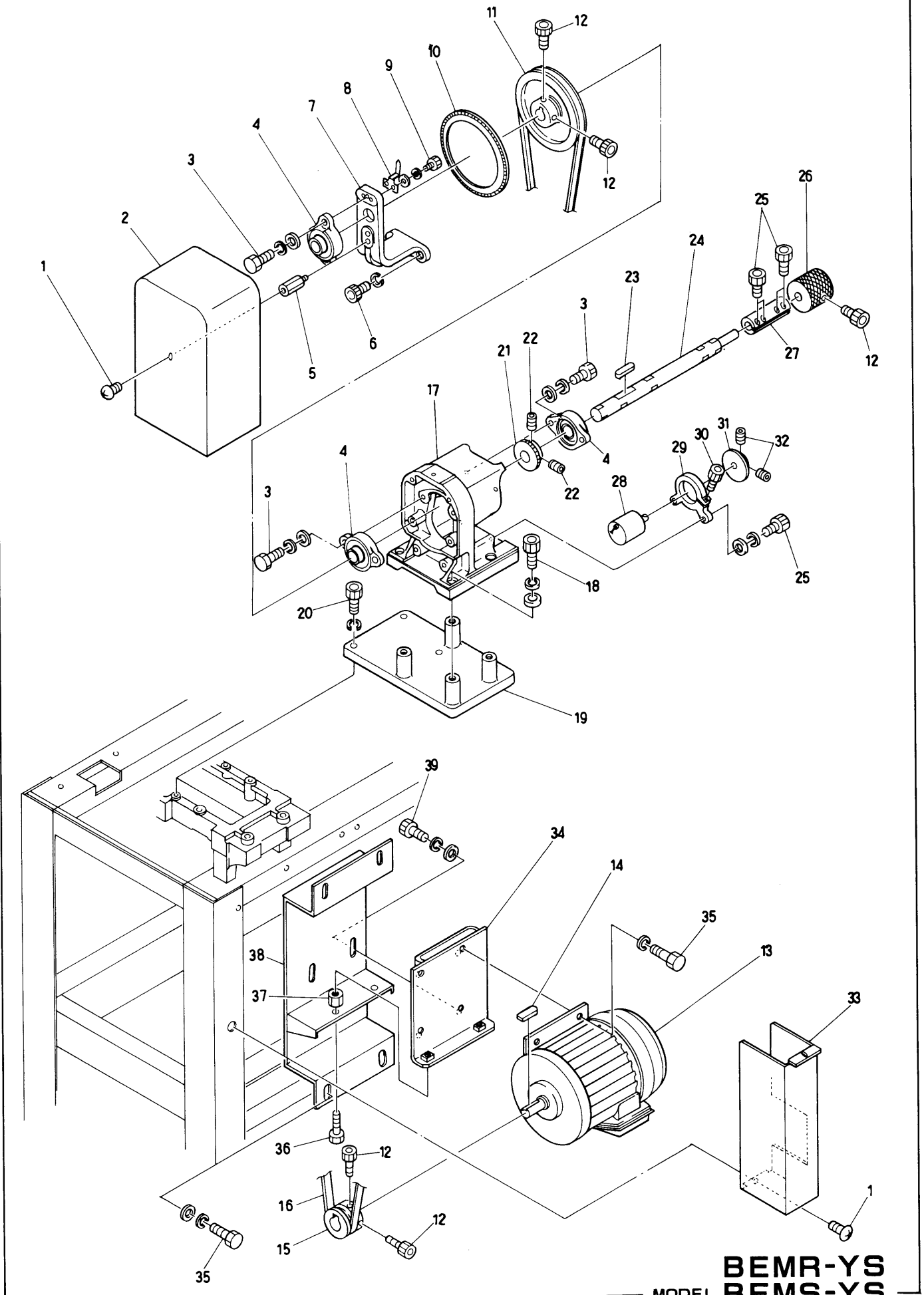
MODEL
BEMR-YS
BEMS-YS
BEMX-YS

⑤ Thread guide mechanism(7•5)

(N=Needle Qty)

ITEM	LIST No	DESCRIPTION	QTY	REMARK
1	HP241410	Dial type tension unit complete	N×1	
2	HP241150	Tension base (with screw)	N×1	
3	HP241180	First thread guide (7)	1	
	HP241170	First thread guide (5)	1	
4	HP241460	Thread guide felt fixing plate	1	
	HP241450	Thread guide felt fixing plate	1	
5	KG241020	Upper tension unit complete	N×1	
6	HP241122	Tension base (7)	1	HP241160 HP241150
	HP241112	Tension base (5)	1	HP241160 HP241150
7	HP241160	Upper thread detection pin	N×1	
8	HP241381	Tension earth plate (7)	1	
	HP241371	Tension earth plate (5)	1	
9		Pan screw 2×8		
10	HP241480	Thread guide felt (7)	1	
	HP241470	Thread guide felt (5)	1	
11	HB240260	Second thread guide plate (7)	1	
	HB240270	Second thread guide plate (5)	1	
12	EBY00800	EMP-001 Head board	1	
13	KB240051	Tension base bracket	1	
14	KU241400	Tension base label	1	
15	KB240100	Tension cable cover	1	
16	KB240060	Tension base (7)	1	
	KB240070	Tension base (5)	1	
17	KB250020	Sewing head cover A	1	
18	KB250030	Sewing head cover B	1	
19	KB250040	Sewing head cover C	1	
20	KG250010	Thread end trap unit a'ssy(7)	1	
	HP250050	Thread end trap unit a'ssy(5)	1	
21	KB250050	Sewing head fixing bracket	1	
22	KB250060	Sewing head fixing stay	1	
23		Set screw (SM11/64 40×5.5)		
24		Truss screw M4×6		
25		Tapping screw M3.5×8		
26		Pan screw M3×4		
27		Pan screw with washer M4×8		
28		Hex. Socket bolt M5×20		
29		Hex. Socket bolt M5 ×8		
30		Hex. Socket bolt M4×6		
31		Hex. Socket bolt M5×20		
32		Hex. Socket bolt M4×15		

From the library of: Diamond Needle Corp



From the library of: Diamond Needle Corp

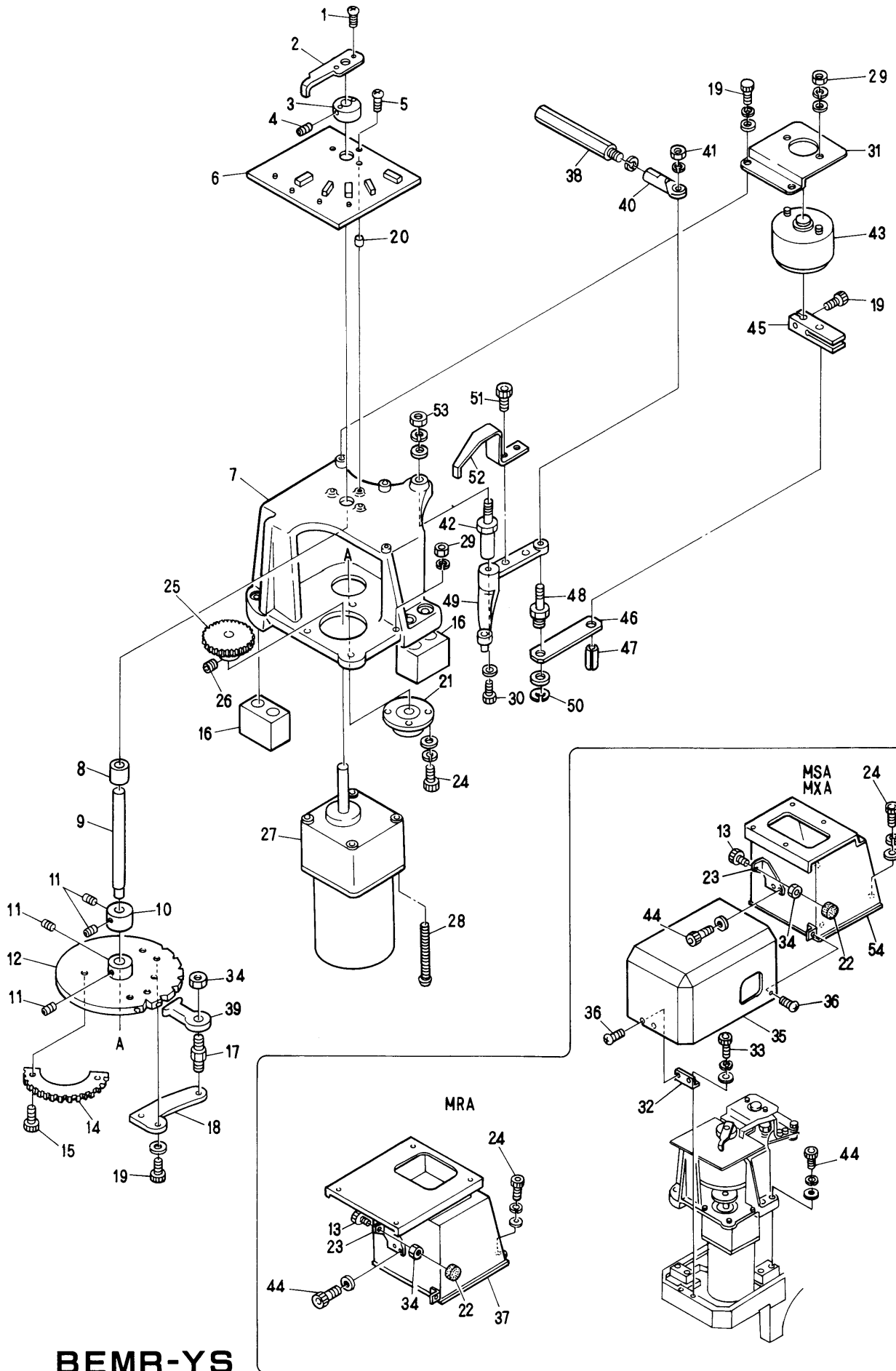
BEMR-YS
BEMS-YS
BEMX-YS

MODEL

⑥ Drive mechanism (※Change the LIST No. by machine type)

ITEM	L I S T No.	D E S C R I P T I O N	Q'TY	R E M A R K
1		Truss screw M4×10		
2	KL 3 1 0 0 9 1	Belt cover (Upper)	1	
3		Hex.bolt M8×25		
4	A 9 0 1 1 0 1 7	Bearing unit (BLF204)	3	
5	KN 3 1 2 9 4 0	Belt cover stay	1	
6		Hex.socket bolt M8×25		
7	KN 3 1 5 1 3 0	Brake box bearing support base	1	
8	KN 3 1 0 0 5 0	Angle gauge	1	
9		Hex.socket bolt M4×10		
1 0	KN 3 1 3 6 7 0	Angle label (A)	1	
1 1	KN 3 1 0 0 0 0	Driving pulley φ152.2	1	
1 2		Hex.socket set screw M6×12		
1 3	KN 3 1 5 1 1 0	Motor	1	
1 4		Key 6×6×32	1	
1 5	KN 3 1 0 0 1 0	Motor pulley φ48.6	1	
1 6	A 9 0 2 0 2 0 0	Belt (4PK -1240)	1	
1 7	KN 3 1 2 8 1 0	Brake box	1	
1 8		Hex.socket bolt M6×35		
1 9	KL 3 1 0 0 5 2	Brake box base	1	
2 0		Hex.socket bolt M6×40		
2 1	KC 3 1 2 9 1 1	Encorder driving gear No.1	1	
2 2		Hex.socket set screw M5×8		
2 3	WW 3 1 0 2 1 0	Key (cross cut) 6×6×35	1	
2 4	KN 3 1 2 8 2 0	Brake shaft	1	
2 5		Hex.socket bolt M6×20		
2 6	KC 3 2 0 5 9 0	Hand pulley	1	
2 7	HH 3 2 0 5 5 0	Upper shaft connecting coupling	1	
2 8	KN 5 1 1 0 2 0	Position corder 051 (for Embroidery machine)	1	
2 9	KC 3 1 2 8 9 0	Encorder retainer	1	
3 0		Truss screw M4×15		
3 1	KC 3 1 2 9 2 1	Encorder driving gear No.2	1	
3 2		Hex.socket set screw M4×8		
3 3	KL 3 1 0 1 0 0	Belt cover(bottom)	1	
3 4	KL 3 1 0 0 7 1	Motor fixing bracket	1	
3 5		Hex.bolt M8×20		
3 6		Hex.bolt M8×55		
3 7		Hex.nut M8		
3 8	KL 3 1 0 0 8 1	Motor base	1	
3 9		Hex.socket bolt M8×20		

From the library of: Diamond Needle Corp



MODEL
BEMR-YS
BEMS-YS
BEMX-YS

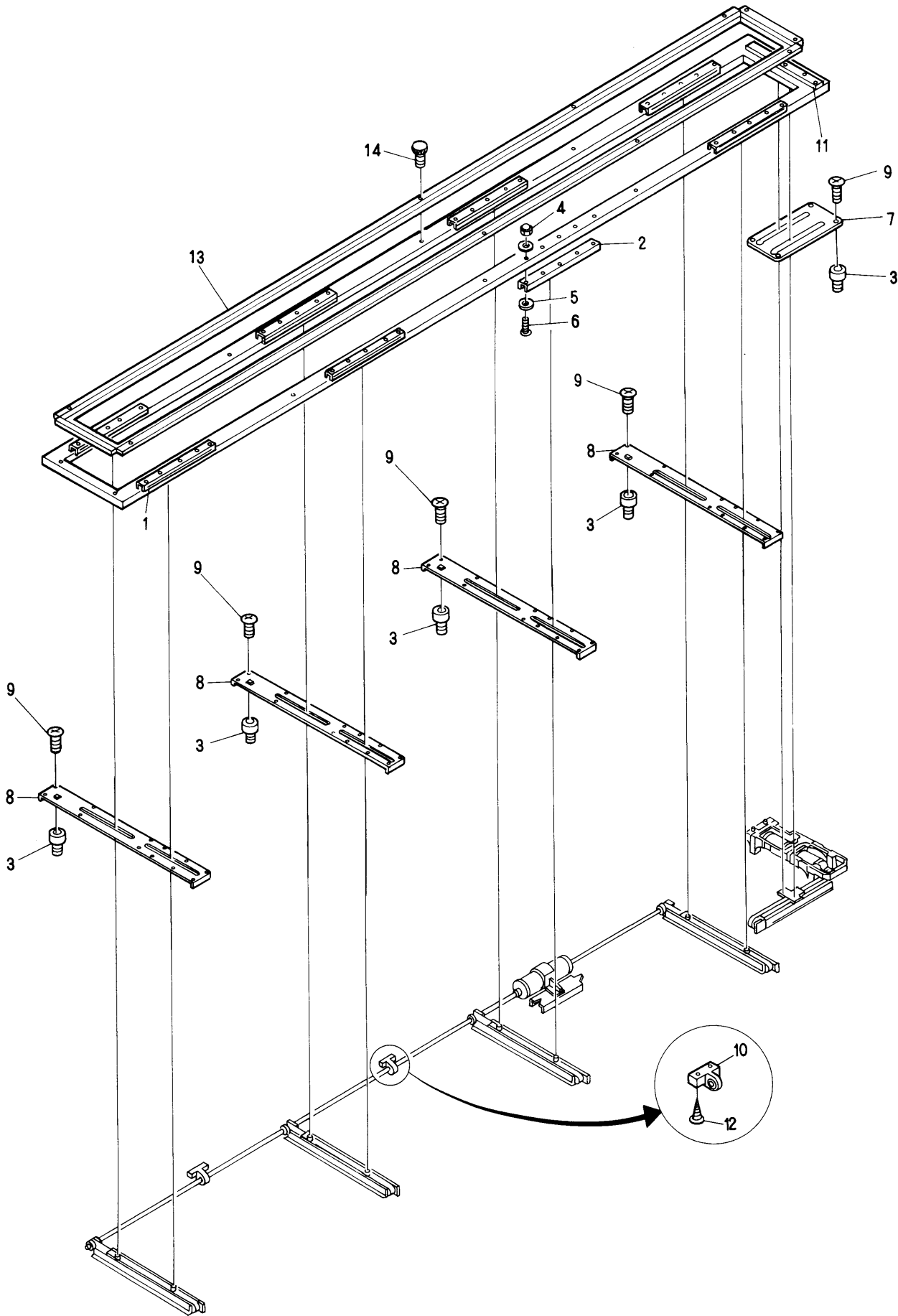
⑦ Color change mechanism

ITEM	LIST No.	DESCRIPTION	Q'TY	REMARK
1		Flush screw M3×8		
2	KC330280	Detection plate	1	
3	KC330170	Detection plate collar	1	
4		Hex.socket set screw M5×10		
5		Flush screw M3×12		
6	EBY00180	3740 Needle positiner	1	
7	KC330130	Needle turning	1	
8	KC330190	Oil-less metal	1	
9	KC330160	Needle turning shaft	1	
10	KC330180	Collar φ10	1	
11		Hex.socket set screw M5×6		
12	KG330150	Control turning plate	1	
13		Hex.socket bolt M5×30		
14	KG330220	Needle turning gear No.2	1	
15		Hex.socket bolt M5×12		
16	KL330050	Unit base spacer	2	
17	KF230360	Turret plate joint pin	1	
18	KL330040	Turret plate lever	1	
19		Hex.socket bolt M5×15		
20	A9012208	Spacer 4×4	3	
21	KC330610	Oil-less bearing (OCHIAI) S/S LSB-G8-080V	1	
22	KF230150	Needle bar cap	1	
23	KL330020	Lock lever stopper	1	
24		Hex.socket bolt M6×12		
25	KC330210	Needle turning gear No.1 (0.8M50T)	1	
26		Hex.socket set screw M4×8		
27	KC330810	Geard moter (RM-F6A5PC3-AS-120)	1	
28		Flush screw M4×65		
29		Hex.nut M4		
30		Hex.socket bolt M5×12		
31	KC330260	Bracket lock rotary	1	
32	KC330910	Cover bracket	1	
33		Hex.socket bolt M5×10		
34		Hex.nut M5		
35	KL330010	Cover	1	
36		Truss screw M4×8		
37	KN332010	Automat bace(BEMRA)	1	
38	KC330510	Hex.connecting bar (L)	1	
39	A9012001	Uniball joint (NMB RD4 020R)	1	
40	A9012002	Uniball joint (NMB PR-6)	1	
41		Hex.nut M16		
42	KF230630	Lock lever shaft	1	
43	KC330850	Rotary solenoid 6SR-25 (27×4×9)	1	
44		Hex.socket bolt M6×30		
45	KN330240	Lock solenoid lever	1	

From the library of: Diamond Needle Corp.

Barudan

⑧ Pantograph drive mechanism I (V · H-Direction)



From the library of: Diamond Needle Corp

MODEL
BEMR-YS
BEMS-YS
BEMX-YS

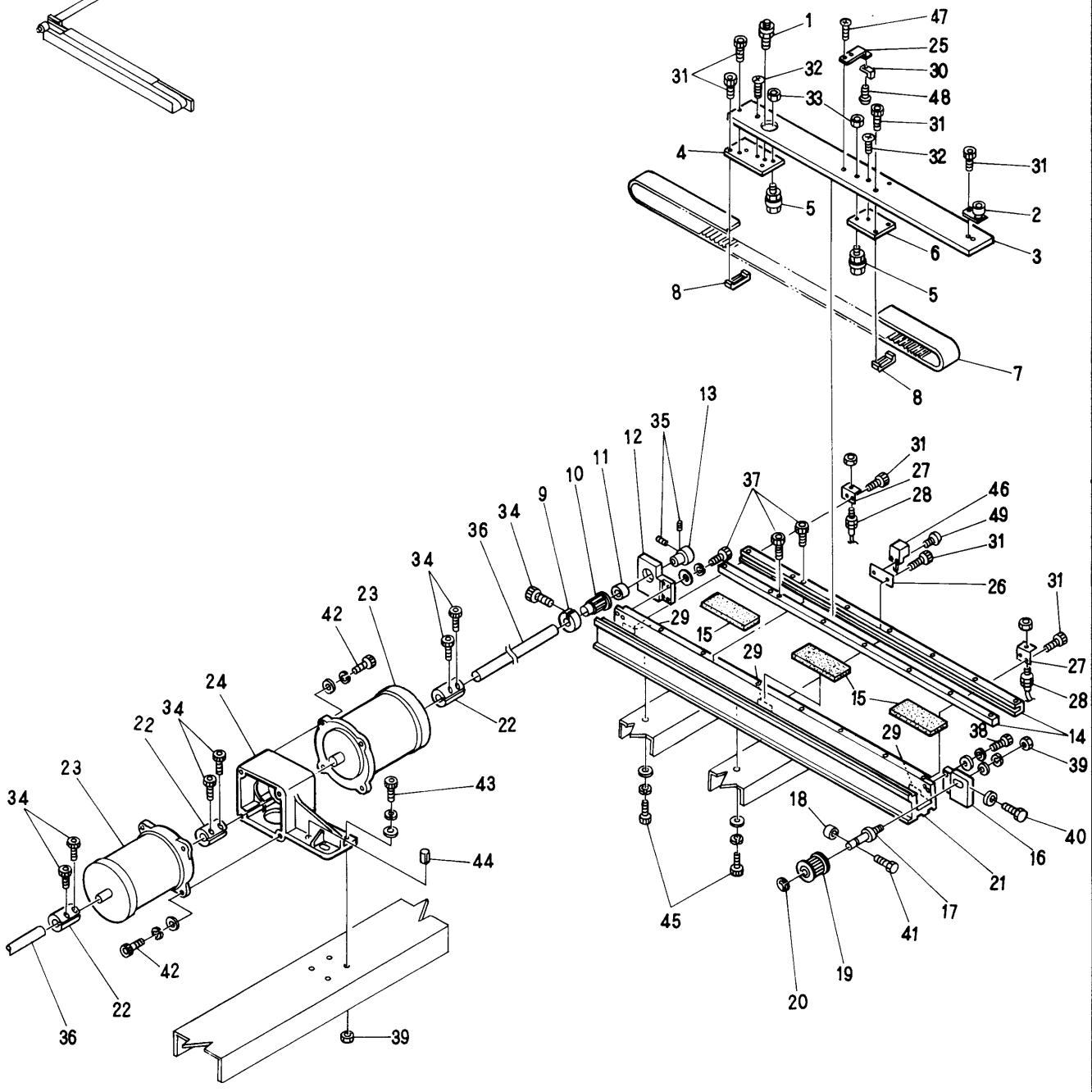
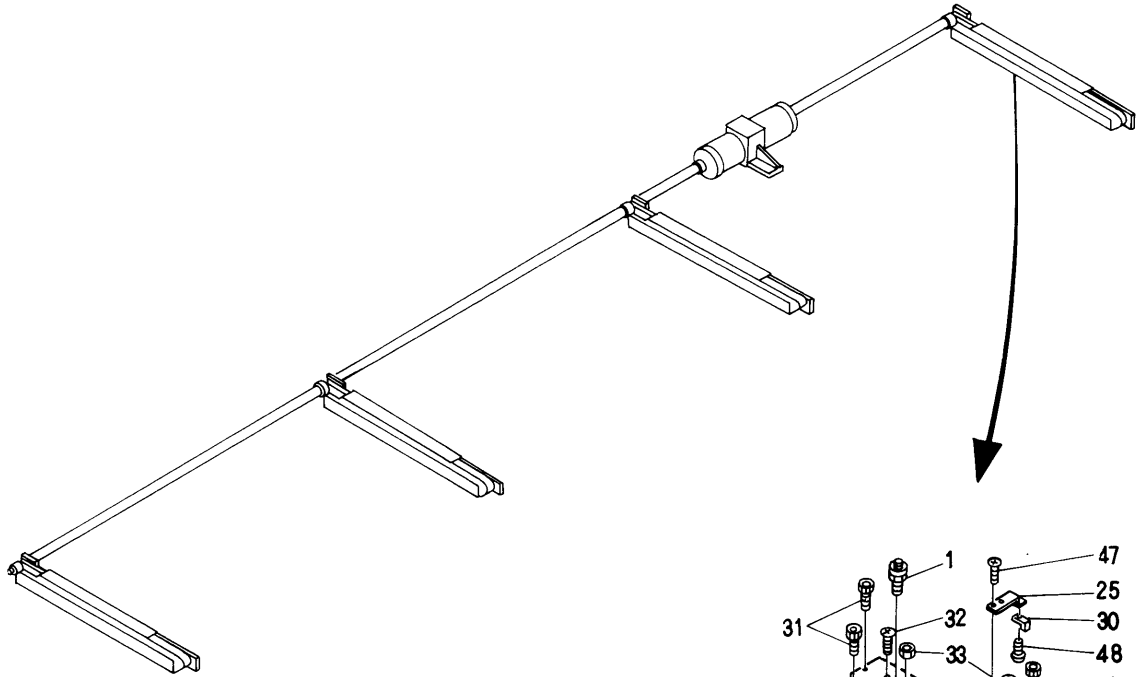
⑧ Pantograph drive mechanism I (V ▪ H-Direction) (※Change the LIST No. by machine type)

ITEM	LIST No.	DESCRIPTION	QTY	REMARK
1	KC 4 5 0 0 2 0	Pantograph frame a' ssy(HJ-12 320×300)	1	※
2	KN 4 8 0 4 0 0	Guide rail B(470L)	6	※
3		Nut (C) M4		
4		Cap nut M4		
5		Washer (with gear) 4		
6		Flush screw M4×12		
7	KC 4 8 0 1 6 0	V guide cover (stroke350)	1	※
8	KC 4 8 0 1 5 1	H center guide cover	3	
9		Frush screw M4×8		
1 0	KN 4 8 0 1 2 0	Pulse moter connecting shaft support(SR)	1	
1 1	KC 4 8 0 3 5 0	Guide rail(470L)	1	
1 2		Flush wood screw 5.1×25		
1 3	1 L K C 4 5 0 0 2 0	Pantograph (SR-12 320×300)	1	※
1 4	KF 7 3 0 7 9 0	Knurling screw	3 6	

From the library of: Diamond Needle Corp

Barudan

⑨ Pantograph drive mechanism II (H-Direction)



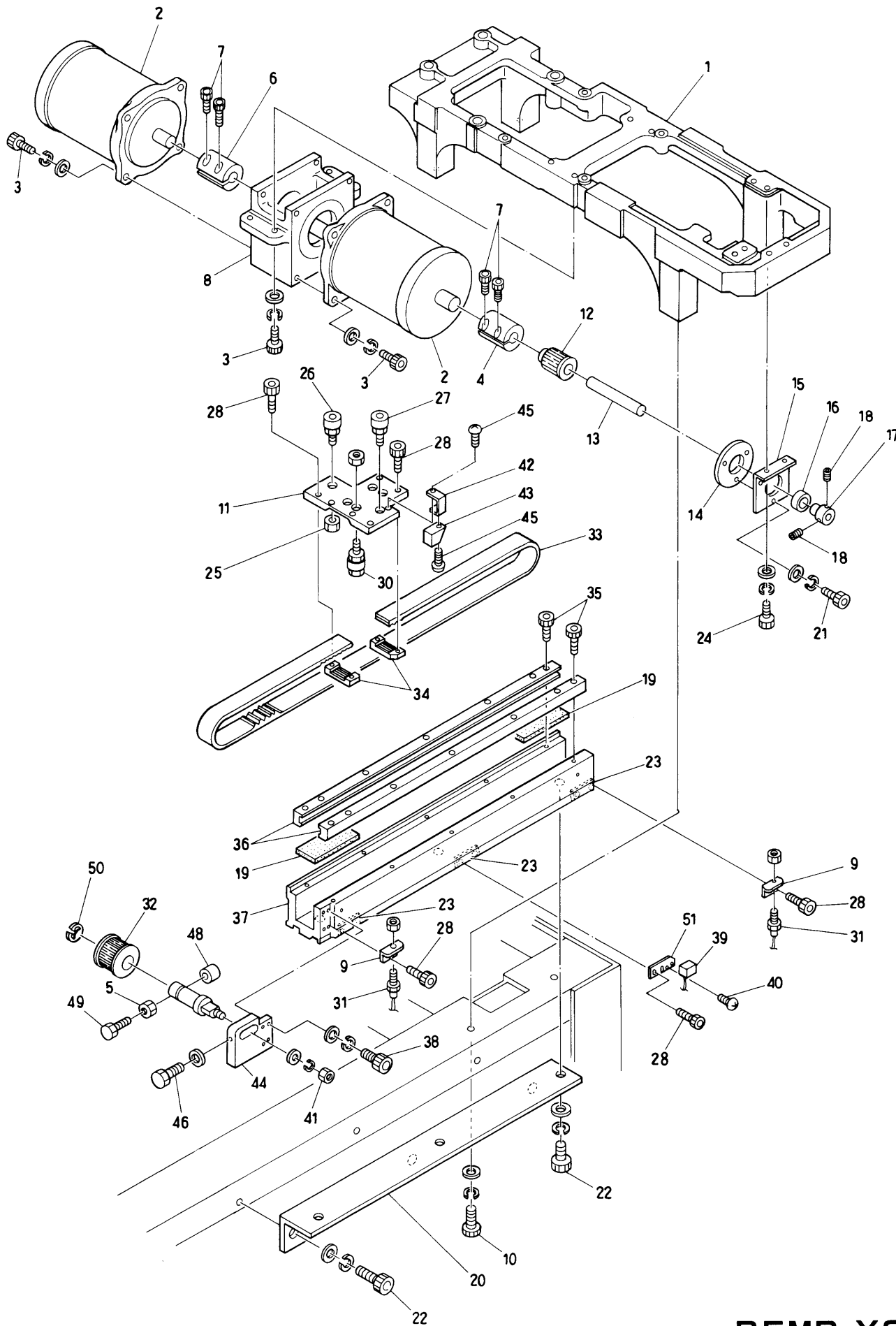
MODEL
BEMR-YS
BEMS-YS
BEMX-YS

From the library of: Diamond Needle Corp

⑨ Pantograph drive mechanism II (H-Direction)

ITEM	LIST No.	DESCRIPTION	Q'TY	REMARK
1	HP 4 8 3 3 7 0	Guide rail bearing pin a'ssy	1	
2	HP 4 8 3 3 9 0	Guide rail bearing pin a'ssy (H)	1	
3	KN 4 8 3 4 4 2	H-member connecting channel (BESR, BEAT)	1	
	KN 4 8 3 4 6 0	H-member connecting channel (SR・AT)	1	
4	KN 4 8 2 8 7 1	H rollar base (rear)	1	
5	HP 4 8 2 9 5 0	Rollar pin a'ssy A	8	
6	KN 4 8 2 8 8 0	H rollar base (Front)	1	
7	A 9 0 2 0 0 9 8	Timing belt (300S5M2000)	1	
8	HP 4 8 2 9 4 0	Timing belt rack(5M)	2	
9	HH 4 8 1 9 8 0	φ19 Clamping	1	
10	HP 4 8 2 9 9 0	Pantograph driving pulley (Rear) (S5M)	1	
11	A 9 0 1 1 0 6 3	Needle bearing (TLA2016)	1	
12	KN 4 8 2 0 1 0	H guide rear pulley bracket	1	
13	HH 4 8 1 9 7 0	Pulse motor connecting shaft collar	1	
14	KN 4 8 3 4 5 0	V guide rail(L=660)	2	
15	KN 4 8 0 0 6 1	Rail base felt (SR100×38×6)	3	
16	KN 4 8 2 0 0 0	H guide front pulley bracket	1	
17	HH 4 8 1 9 9 1	Timing pulley shaft	1	
18	HH 4 8 2 1 1 0	Pulley shaft bolt cap	1	
19	HP 4 8 2 9 8 0	Pantograph driving pulley (Front) (S5M)	1	
20	A 9 0 1 2 0 5 2	E-ring (φ10)	1	
21	KN 4 8 3 4 0 0	H guide rail base (BESR)	1	
22	HH 4 8 1 9 3 1	Pulse motor coupling	3	
23	HH 4 8 1 9 0 0	Pulse motor (4M)	2	
24	KN 4 7 0 1 5 1	H pulse motor bracket	1	
25	KU 4 6 0 3 4 2	H Pantograph origin point magnet bracket	1	
26	KN 4 5 0 3 0 0	MH-601A Promixity switch fixing bracket	1	
27	MT 4 6 0 2 4 0	RS-001 bracket (V)	2	
28	A 9 0 5 2 0 2 4	Switch RS-001	2	
29	KU 4 6 0 2 7 0	Plate nut (M3)	3	
30	A 9 0 5 2 0 3 0	Magnet (M-102A-02)	1	
31		Hex.socket bolt M4×6		
32		Pan screw M4×8		
33		Hex,nut M5		
34		Hex.socket bolt M5×18		
35		Hex.socket set screw M5×8		
36		Pulse motor connecting shaft φ15	2	
37		Hex.socket bolt M4×15		
38		Hex.socket bolt M4×18		
39		Hex,nut M8		
40		Hex.socket bolt M4×25		
41		Hex.socket bolt M4×40		
42		Hex.socket bolt M6×25		
43		Hex.socket bolt M8×40		
44		Roll pin φ4×30	2	

From the library of: Diamond Needle Corp



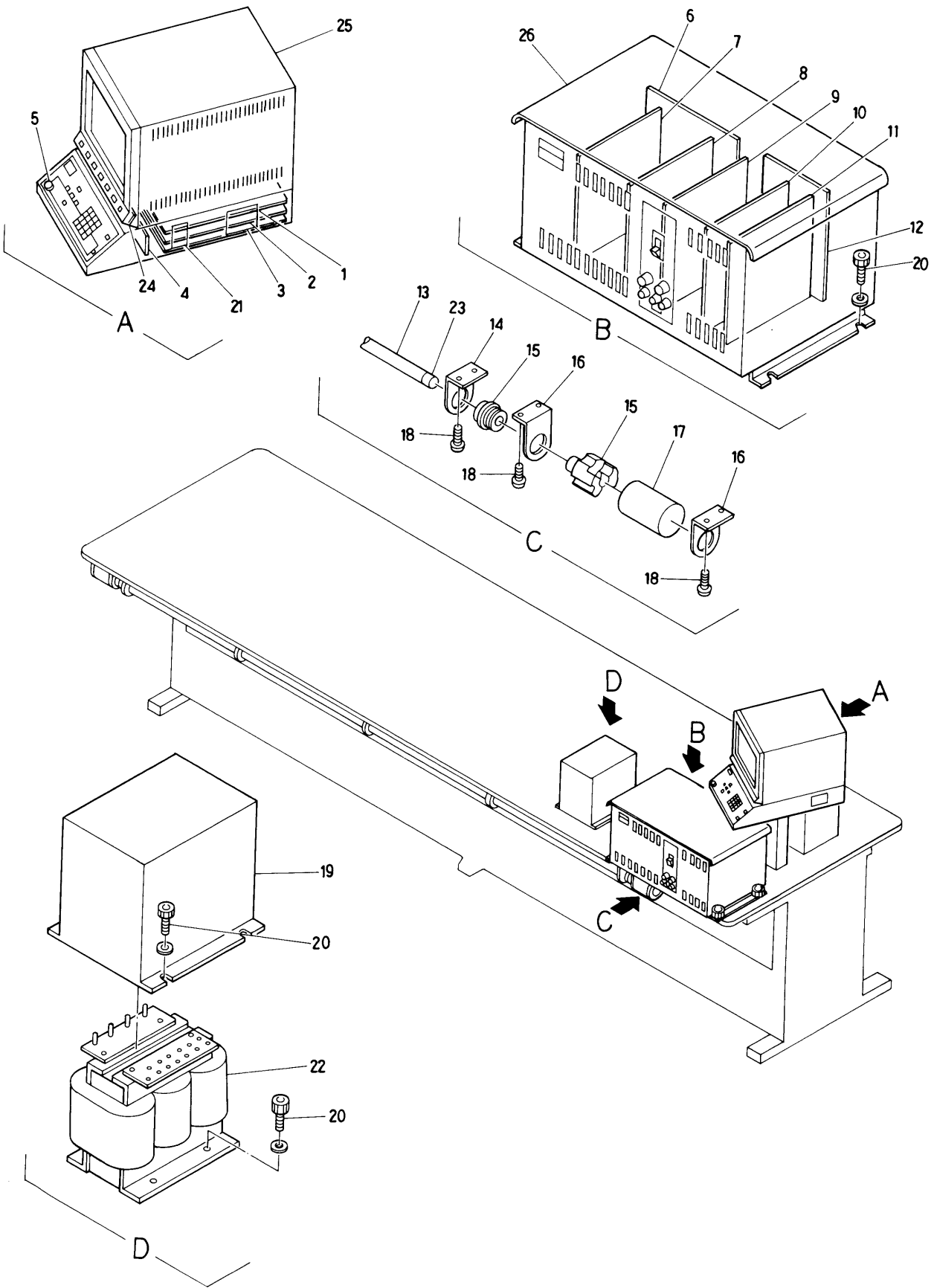
From the library of: Diamond Needle Corp

MODEL
BEMR-YS
BEMS-YS
BEMX-YS

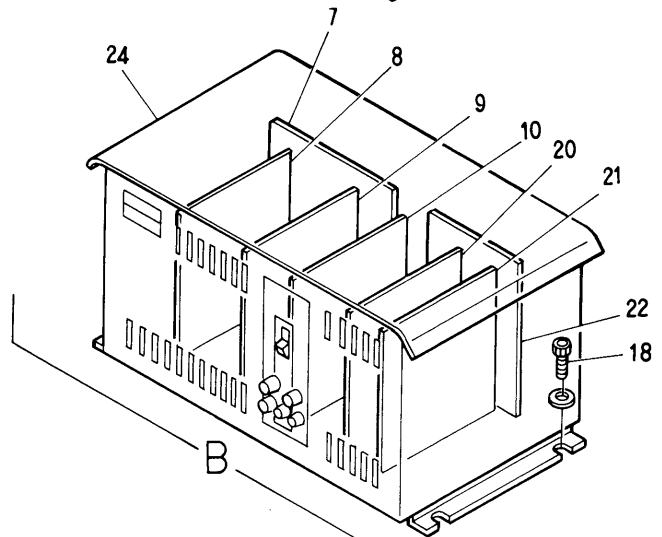
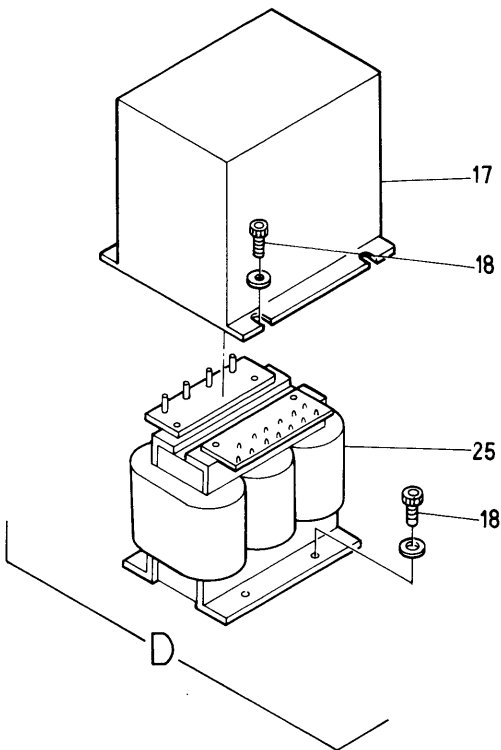
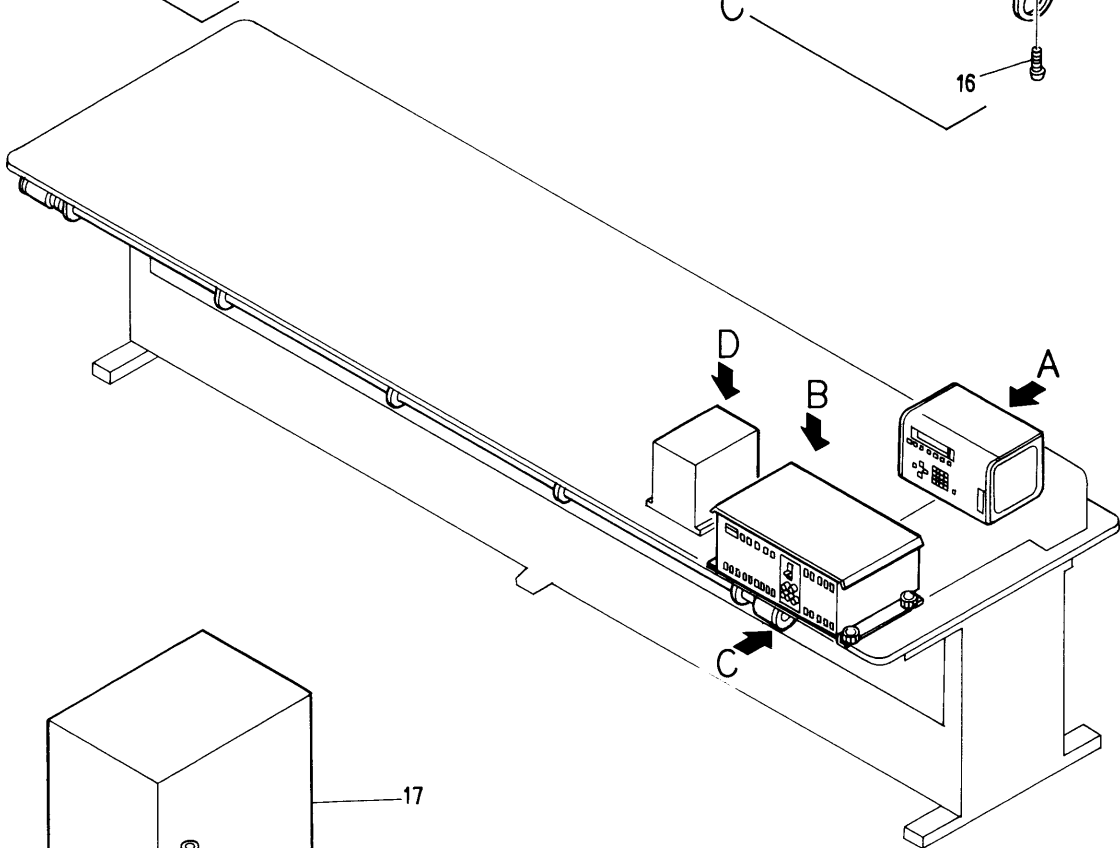
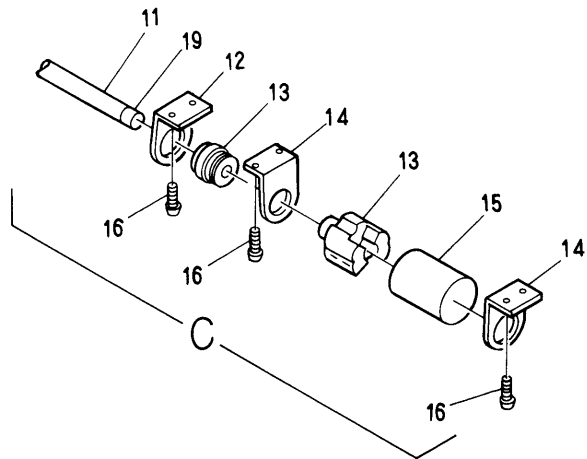
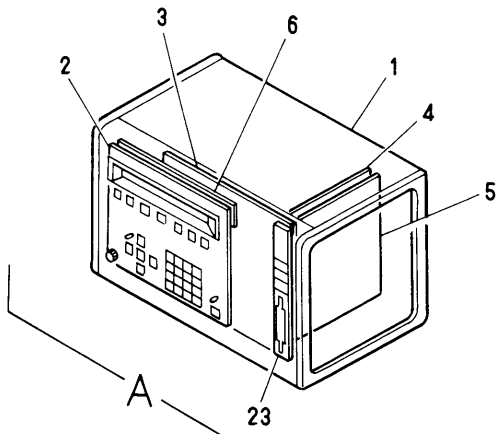
⑩ Pantograph drive mechanism III (V-Direction) (※Change the LIST No. by machine type)

ITEM	LIST No.	DESCRIPTION	Q'TY	REMARK
1	KN330110	Contorol unit base	1	
2	HH481900	Pulse motor (4M)	2	
3		Hex. socket bolt M6×25		
4	KN490150	V Pulse motor coupling	1	
5		Hex. nut M4		
6	HH481931	Pulse motor coupling	1	
7		Hex. socket bolt M5×28		
8	KN470161	V Pulse motor bracket	1	
9	MT460240	RS-001 Bracket (V)	2	
10		Hex. socket bolt M8×20		
11	KN482890	V roller base	1	
12	HP482990	Pantograph driving pulley (rear) (S5M)	1	
13	KN490140	V timing belt shaft	1	
14	KN490130	V timing belt shaft bearing husing	1	
15	KN490121	Bearing bracket	1	
16	A9011063	Needle bearing (TLA2016)	1	
17	HH481970	Pulse motor connecting shaft collar	1	
18		Hex. socket set screw M5×8		
19	KN480061	Rail base felt (SR100×38×6)	2	
20	KC470460	V guide rail base bracket	1	※
21		Hex. socket bolt M4×8		
22		Hex. socket bolt M8×20		
23	KU460270	Plate nut (M3)	3	
24		Hex. socket bolt M5×12		
25		Hex. nut M3		
26	HP483111	Guide rail bearing pin a'ssy B	1	
27	HP483370	Guide rail bearing pin a'ssy	1	
28		Hex. socket bolt M3×6		
29		Hex. nut M5		
30	HP482950	Roller pin a'ssy A	4	
31	A9052024	Switch RS-001	2	
32	HP482980	Pantograph drive pulley (Front) (S5M)	1	
33	A9020098	Timing belt (300S5M2000)	1	
34	HP482940	Timing belt rack (5M)	2	
35		Hex. socket bolt M4×15		
36	HP483450	V guide rail(L=660)	2	※
37	KN483410	V guide rail base (stroke 350)	1	※
38		Hex. socket bolt M4×18		
39	A9052031	Magnetic memory promixing switch (MH-601A)	1	
40		Flush screw M3×10		
41		Hex. nut M8		
42	KN450311	V Pantograph origin point magnet bracket	1	
43	A9052030	Magnet (M-102A-02)	1	
44	KN482000	H guide front pulley bracket	1	
45		Truss screw M3×6		

From the library of: Diamond Needle Corp



MODEL
BEMR-YS
BEMS-YS
BEMX-YS



MODEL
BEMR-YS
BEMS-YS
BEMX-YS

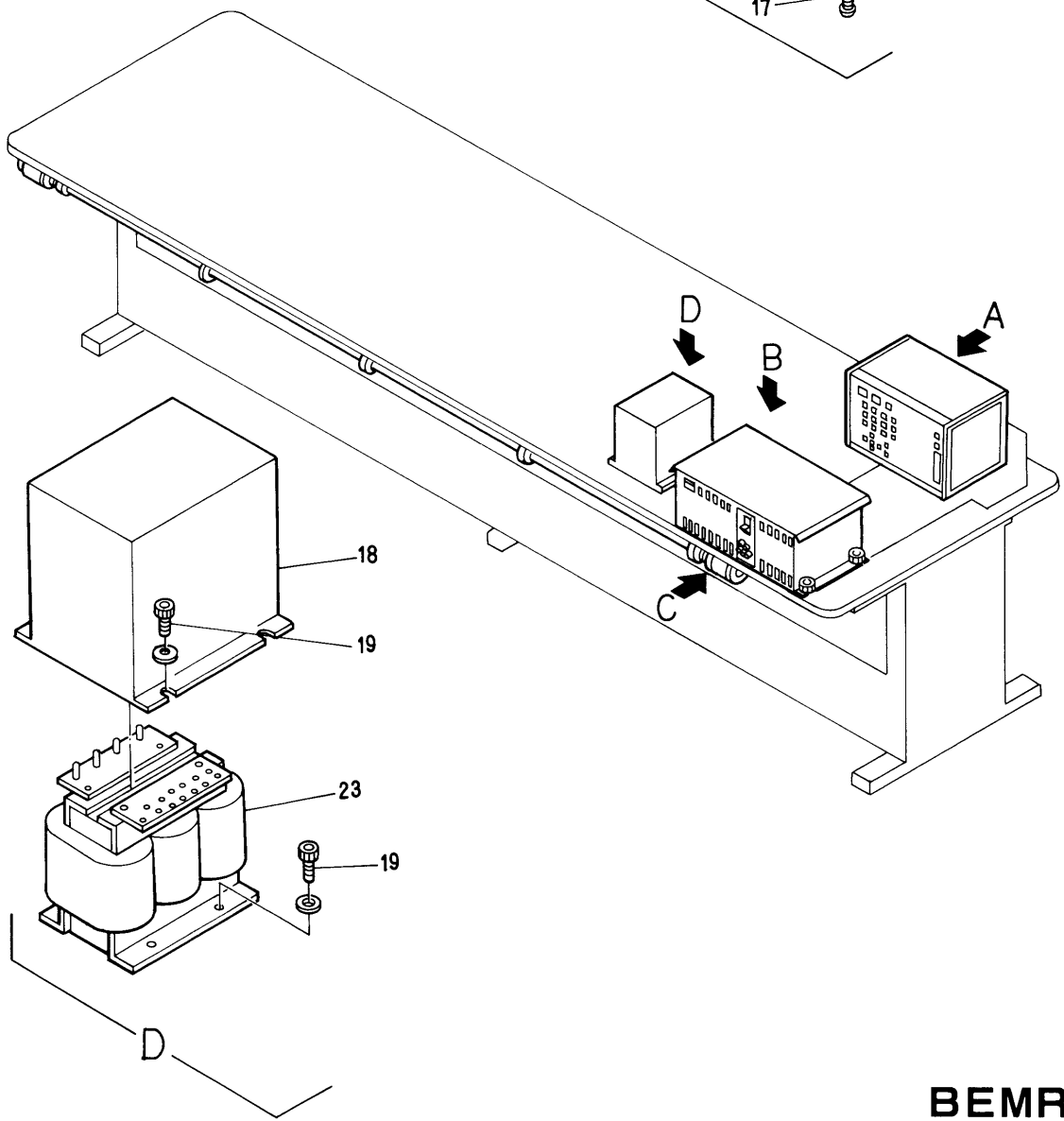
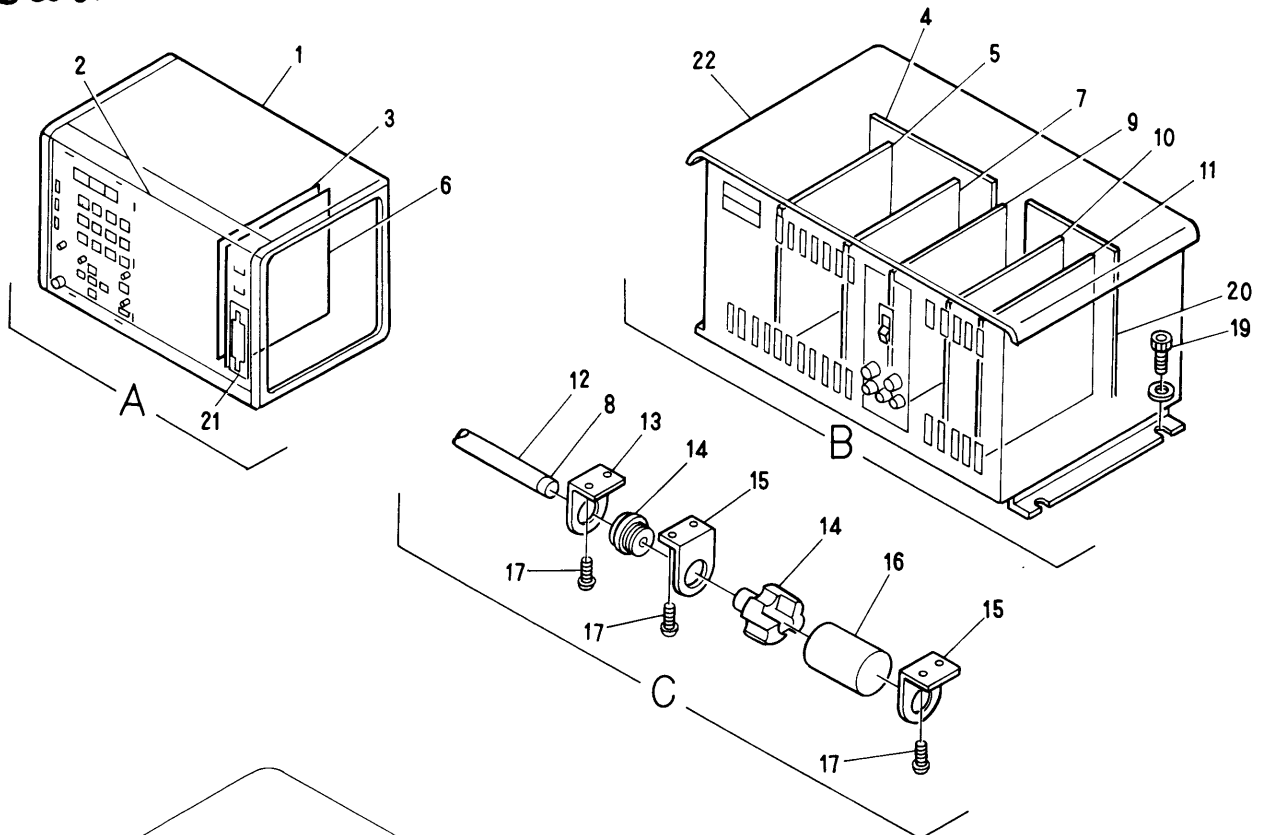
⑪ Control system <BEMS-YS>

ITEM	LIST No	DESCRIPTION	Q'TY	REMARK
1	EAY021A1	Automat controller (BEMS)	1	
2	EBY00990	7030 ON/OFF board	1	
3	EBY00970	7010 CPU board	1	
4	EBY00940	4920 Memory board	1	
5	EBY00950	4930 FD control board	1	
6	EBY00980	7020 Display/Switch board	1	
7	EBY00570	4590 B/B·L board	1	
8	EBY00540	4540 Pulse motor control board	1	
9	EBY00530	4530 Inverter board	1	
10	EBY00550	4560 Power control board	1	
11	KF530160	Bar switch	1	
12	KC530240	Bar switch bracket (S)	5	
13	KF530111	Push button switch MS319 (Red)	1	
	KF530120	Push button switch MS319 (Green)	1	
14	KC530230	Bar switch bracket (L)	4	
15	KF530150	Push button switch cap	2	
16		Tapping screw M4×20		
17	KC520020	Transformer cover set	1	
18		Hex. socket bolt M6×30		
19	KF530170	Bar switch cap	2	
20	EBY00520	4520 Solenoid board	1	
21	EBY00510	4510 Interface board	1	
22	EBY00560	4580 B/B·R board	1	
23	EBY00630	Floppy disk drive FD-1137C	1	
24	EAY021A2	Automat driver (BEMS)	1	
25	EAY021A3	Automat transformer 3P (BEMS)	1	
	EAY022A3	Automat transformer 1P (BEMS)	1	

From the library of: Diamond Needle Corp

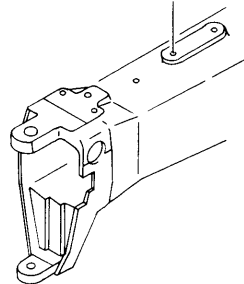
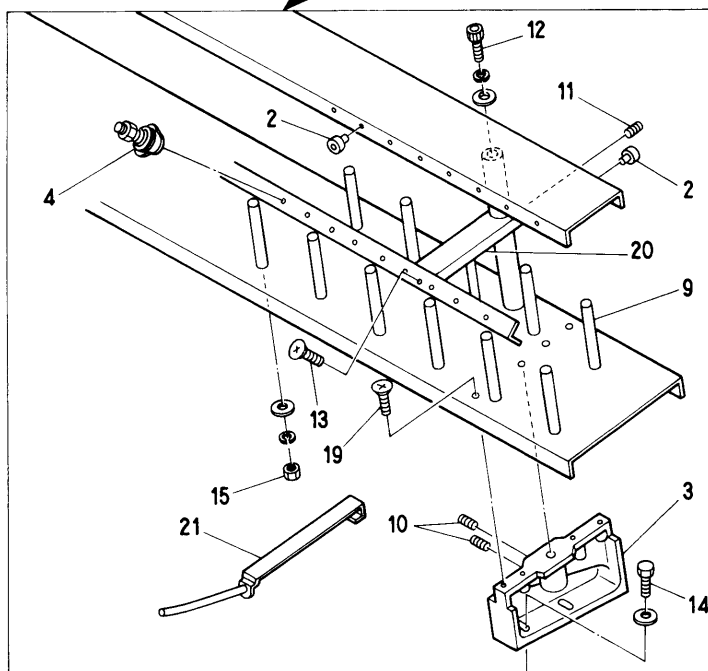
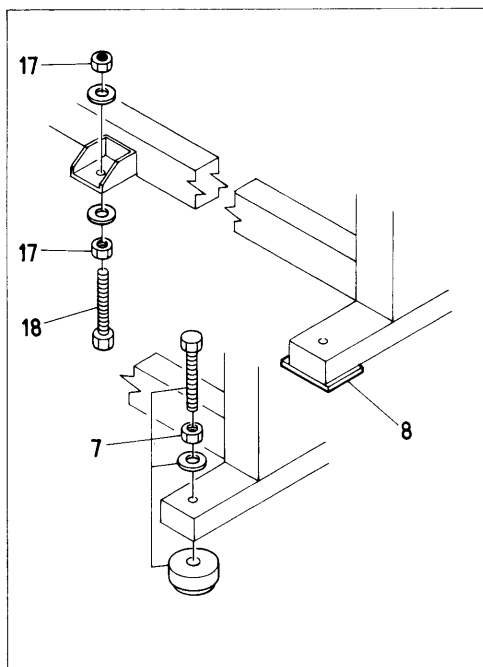
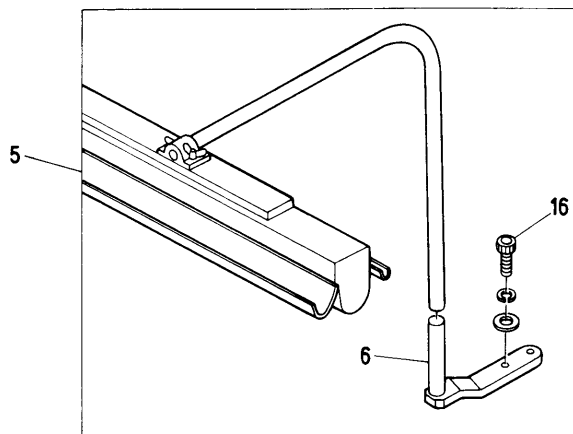
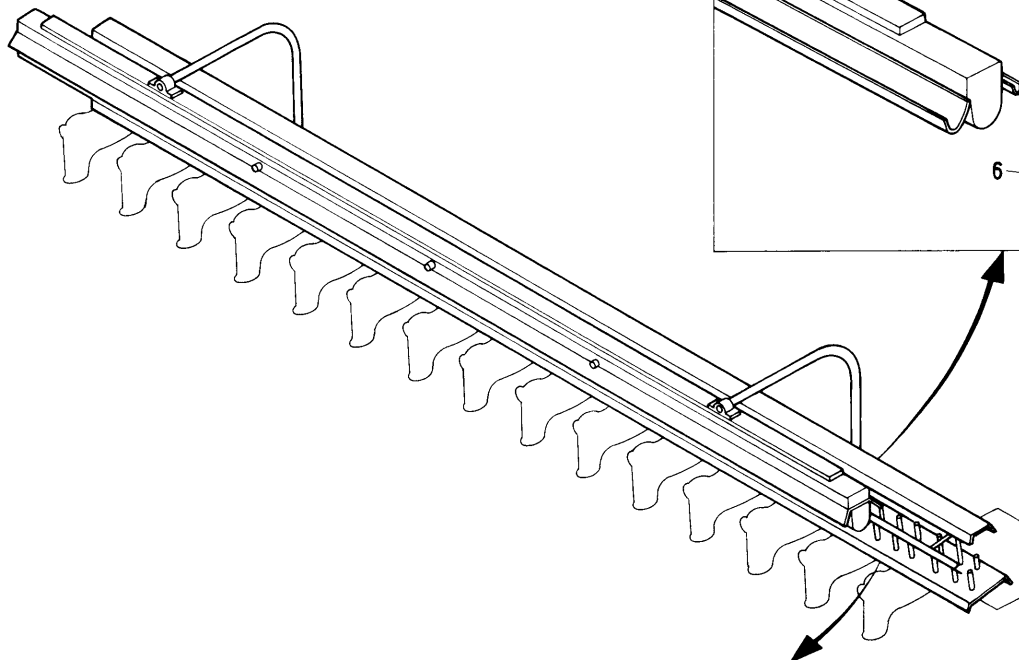
Barudan

⑪ Control system <BEMX-YS>



MODEL
BEMR-YS
BEMS-YS
BEMX-YS

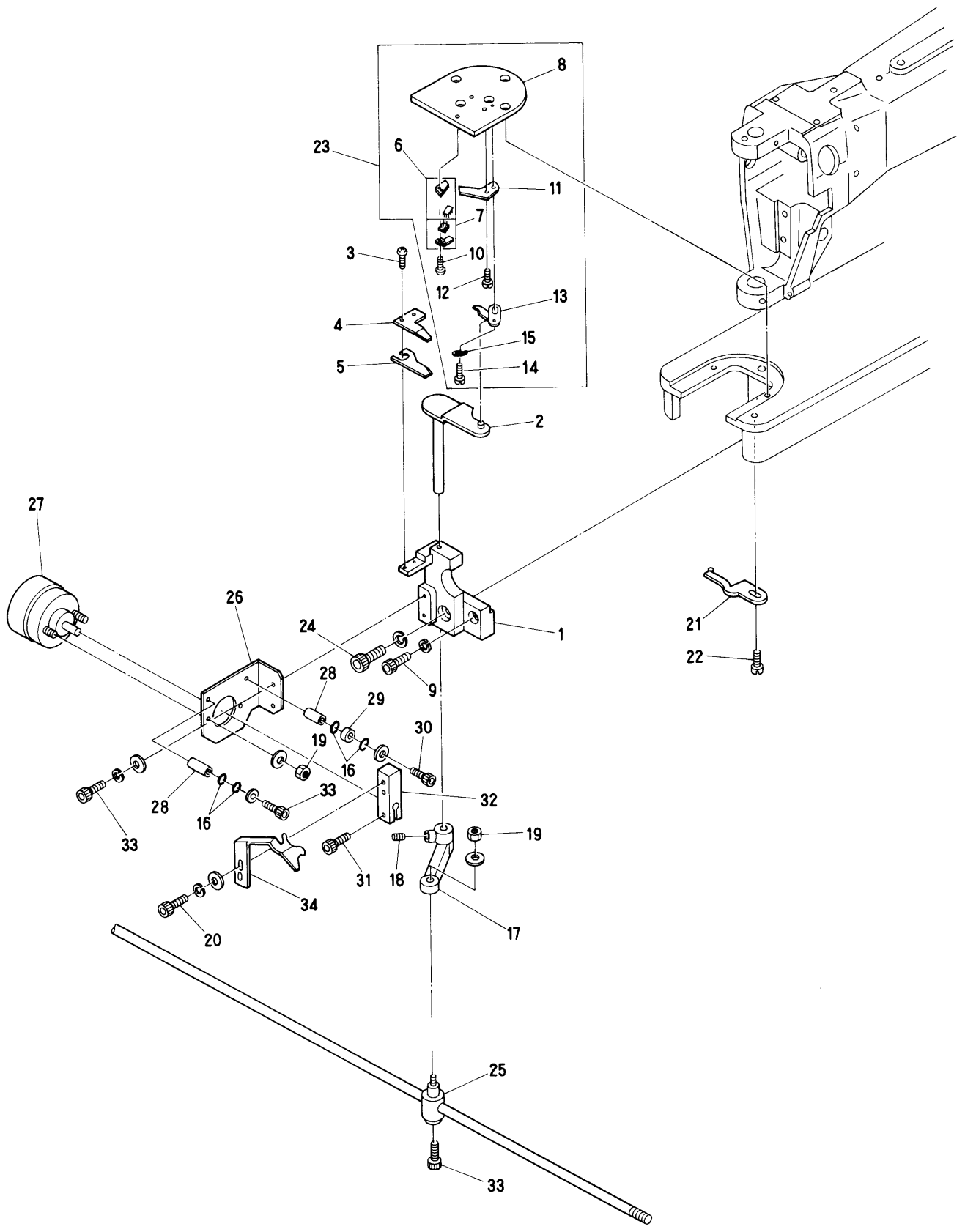
From the library of: Diamond Needle Corp



MODEL
BEMR-YS
BEMS-YS
BEMX-YS

⑫ O p t i o n (※Change the LIST No. by machine type) H=Head Q' ty

ITEM	LIST No.	DESCRIPTION	Q'TY	REMARK
1	1 J P 1 5 3 2 0	Spool holder complete SRH-UF-15 (P-300)	1	※
2	K F 2 4 0 9 0 0	Thread guide ceramic (Spool stand)		
3	H P 7 1 0 7 9 0	Spool holder base	4	
4	K G 2 4 1 0 3 1	Second tention unit complete	H×9 H×6	
5	K F 7 1 0 3 0 0	Fiuorescent lamp set (LAP4012K 15/25LG)	1	※
6	K G 7 1 0 1 6 1	Fiuorescent lamp stand base	2	
7	H H 1 2 0 9 0 0	Mount set (140 × 70)	4	For export
8	K C 1 1 0 9 7 0	Machine base pad (P1012 100×100)	4	For interior
9	K F 7 1 0 2 8 0	Arm spool pin	H×9 H×6	
10		Hex. socket set screw M5×8		
11		Hex. socket set screw M6×8		
12		Hex. socket bolt M6×15		
13		Flush screw M5×6		
14		Hex. bolt M8×20		
15		Hex. nut M5		
16		Hex. socket bolt M8×45		
17		Hex. nut M16		
18		Hex. socket bolt M16×130		
19		Flush screw M4×12		
20	K C 7 1 0 2 7 0	Tension unit complete fixing stay		
21	K F 7 1 0 4 1 0	Bobbin holder	3	(5)
	K C 7 1 0 4 1 0	Bobbin holder	3	(7)

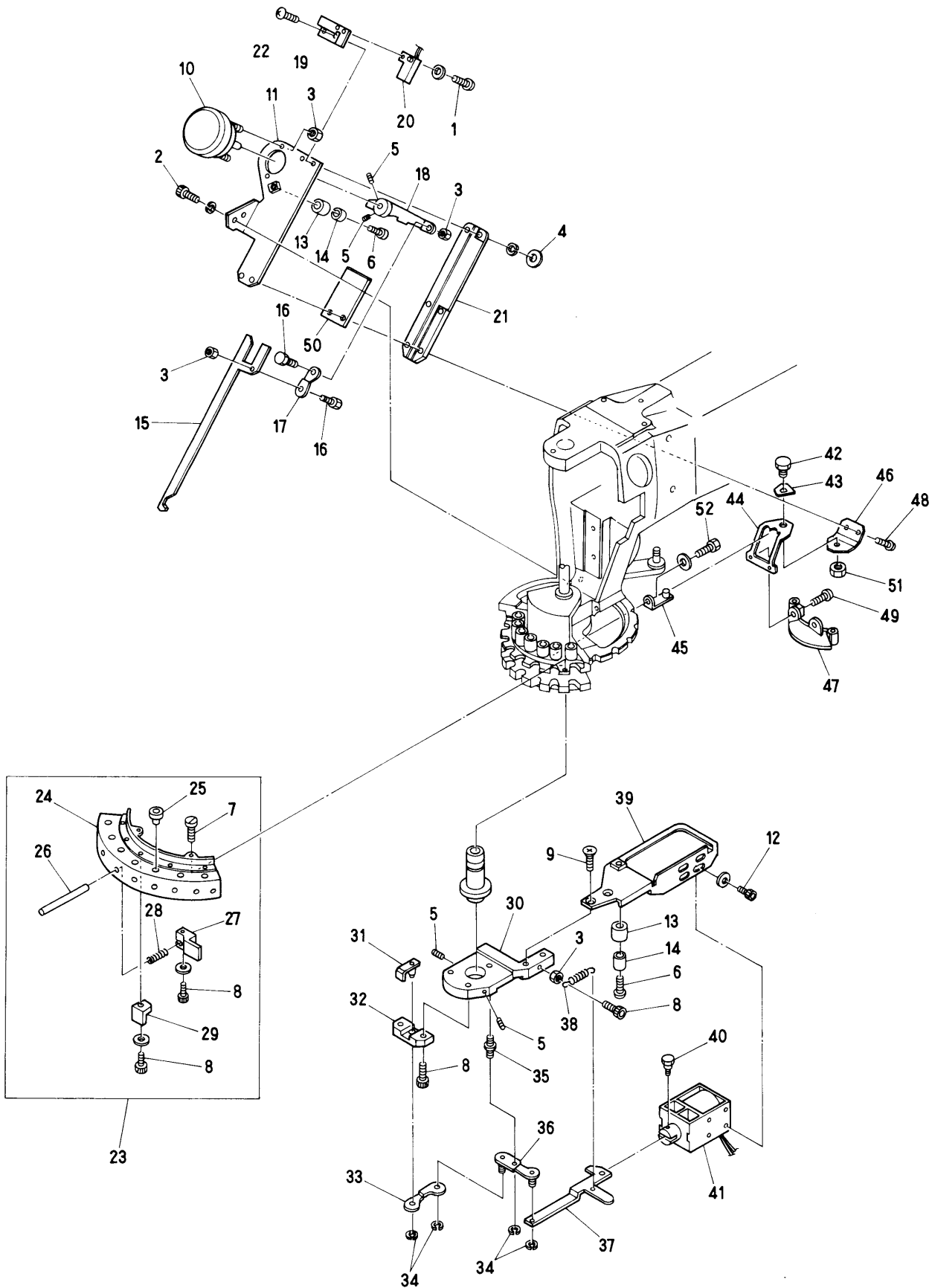


MODEL
BEMR-YS
BEMS-YS
BEMX-YS

⑬ Thread cutting mechanism I

ITEM	LIST No.	DESCRIPTION	QTY	REMARK
1	KN271521	Thread knife bracket	1	for small bobbin
	HP272550	Thread knife bracket	1	for middle bobbin
2	KN271980	Lower knife driving lever	1	for small bobbin
	HP272560	Lower knife driving lever	1	for middle bobbin
3		Round screw M3×6		
4	KN271610	Upper knife holder	1	
5	KN271602	Upper knife	1	
6	KN271220	Bobbin thread support stay (upper) CMP	1	
7	KN271190	Bobbin thread support stay (Lower) CMP	1	
8	KN250131	Throat plate (for thread cutter)	1	
9		Hex. socket bolt M6×15		
10		Round screw M2.5×3		
11	KC270960	Fixed knife	1	
12	KC270980	Fixed knife set screw	1	
13	KN270950	Lower knife	1	
14	KC270970	Lower knife turret shaft	1	
15	A9013045	Wave washer 3	1	
16	KN272540	O-ring(1AP8)	4	
17	KN271560	Knife lever	1	
18		Hex. socket setscrew M5×6		
19		Hex. nut M4		
20		Hex. socket bolt M3×10		
21	KN271670	Rotating hook bobbin case holder position bracket (for thread cutting)	1	
22		Screw M4×8		
23	KN272001	Throat plate (for thread cutting) CMP	1	
24		Hex. socket bolt M6×30		
25	KF230640	Lock connecting bar clamp	1	
26	KN271620	Solenoid stay	1	for small bobbin
	HP272570	Solenoid stay	1	for middle bobbin
27	A9056010	Rotary solenoid (4EL25-33×3×8×9)	1	
28	KN271651	Eccentric stopper	2	
29	KN271662	Stopper eccentric cover	1	
30		Hex. socket bolt M4×20		
31		Hex. socket bolt M4×10		
32	KN271630	Solenoid lever	1	
33		Hex. socket bolt M4×8		
34	KN271643	Needle thread hook	1	

From the library of: Diamond Needle Corp



From the library of: Diamond Needle Corp

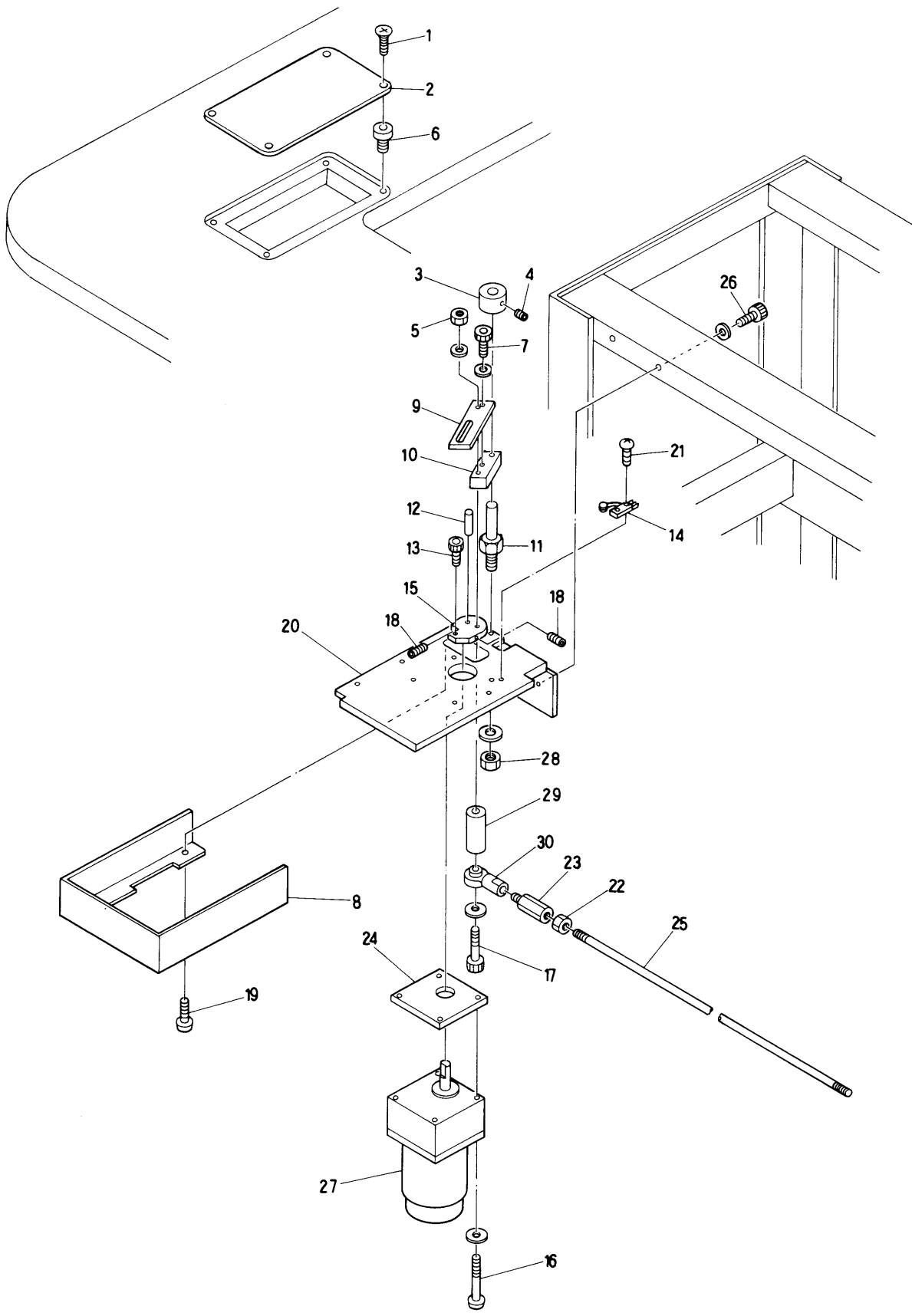
MODEL
BEMR-YS
BEMS-YS
BEMX-YS

⑭ Thread cutting mechanism II

(N=Needle Q'ty)

ITEM	LIST No.	DESCRIPTION	Q'TY	REMARK
1		Truss screw M3×6		
2		Hex.socket bolt M4×12		
3		Hex.nut M4		
4		Hex.nut M3		
5		Hex.socket set screw M4×8		
6		Truss screw M4×16		
7		Set screw (SM9/64 40)		
8		Hex.socket bolt M4×10		
9		Pan screw M4×8		
10	A 9 0 5 6 0 1 8	Rotary solenoid (4RE67.5-34×8×9)	1	
11	KL 2 7 0 0 8 1	Thread away base	1	
12		Hex.socket bolt M3×6		
13	KL 2 7 0 1 5 0	Eccentric cover	2	
14	KL 2 7 0 1 4 0	Stopper eccentric	2	
15	KL 2 7 0 1 0 1	Thread away hook	1	
16	KL 2 7 0 1 3 0	Lever connecting pin	2	
17	KL 2 7 0 1 2 0	Connecting plate	1	
18	KL 2 7 0 1 1 0	Thread away solenoid lever	1	
19	KL 2 7 0 2 6 0	Switch stay	1	
20	A 9 0 5 2 0 2 8	Limit switch (RS-603)	1	
21	KL 2 7 0 0 9 1	Thread away hook guide	1	
22		Truss screw M3×10		
23	KC 2 7 0 7 6 1	Thread support apron UF a'ssy(5)	1	
	KG 2 7 0 7 6 0	Thread support apron US a'ssy(7)	1	
24	KC 2 7 0 2 8 3	Thread support apron (5)	1	
	KG 2 7 0 2 8 2	Thread support apron (7)	1	
25	KF 2 3 0 5 8 0	Take up lever ceramic	N×1	
26	KG 2 7 0 3 1 0	Thread support pin (7)	N×1	
27	KC 2 7 0 3 0 1	Thread support clamp	N×1	
28	KC 2 7 0 2 7 1	Support spring	N×1	
29	KC 2 7 0 2 9 2	Thread support block	N×1	
30	KL 2 7 0 0 0 0	Fixing base	1	
31	KL 2 7 0 0 2 0	Thread support slider	1	
32	KL 2 7 0 0 1 0	Slide base	1	
33	KL 2 7 0 0 3 0	Driving plate	1	
34	A 9 0 1 2 0 5 6	E-ring φ3	4	
35	KL 2 7 0 0 4 0	Lever turret pin	1	
36	KL 2 7 0 0 5 0	Solenoid lever	1	
37	KL 2 7 0 0 6 0	Lever connecting plate	1	
38	KC 2 7 0 4 0 0	Thread support lever spring	1	
39	KL 2 7 0 0 7 0	Solenoid stay	1	
40	KC 2 7 0 1 0 1	Solenoid pin	1	
41	A 9 0 5 6 0 1 3	Keep solenoid (TDS-K10SL)	1	
42	KL 2 7 0 4 1 0	Thread hanger plate rotary shaft	1	
43	A 9 0 1 3 0 4 5	Wave washer (WW-5)	1	

From the library of: Diamond Needle Corp



MODEL **BEMR-YS**
BEMS-YS
BEMX-YS

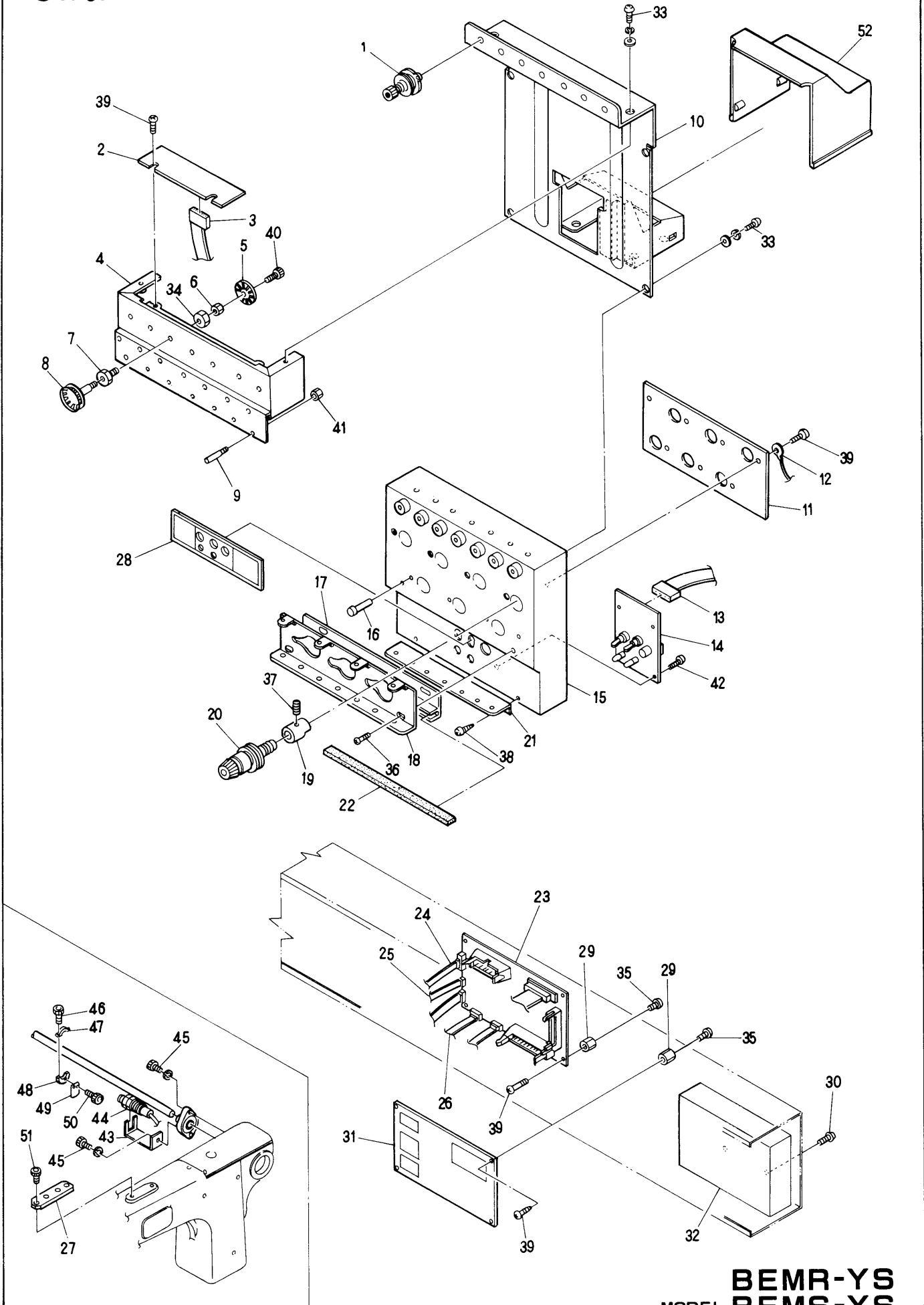
⑮ Thread cutting drive mechanism III

ITEM	LIST No.	DESCRIPTION	Q'TY	REMARK
1		Flush screw M4×8		
2	KC 2 7 1 4 4 0	Drive servece cover	1	
3	KC 3 3 0 1 8 0	Collar φ10	1	
4		Hex. socket set screw M5×6		
5		Hex. nut M6		
6		Rag nut (C) M4		
7		Hex. socket bolt M6×12		
8	KN 2 7 1 7 1 2	Motor bracket cover	1	
9	KN 2 7 1 9 9 0	Motor lever	1	
1 0	KN 2 7 1 7 8 1	Drive lever	1	
1 1	KN 2 7 1 7 5 0	Motor lever turret shaft	1	
1 2	KN 2 7 2 3 5 0	Parallel pin φ6 (L=35)	1	
1 3		Hex. socket bolt M4×10		
1 4	A 9 0 5 2 0 0 5	Micro swich (V-01GL2255)	1	
1 5	KN 2 7 1 7 3 1	Drive cam	1	
1 6		Pan screw M5×65		
1 7		Hex. socket bolt M6×55		
1 8		Hex. socket set screw M5×8		
1 9		Truss screw M3×6		
2 0	KN 2 7 1 7 0 0	Motor bracket	1	
2 1		Screw M3×15		
2 2		Hex. nut M5		
2 3	HH 3 3 0 7 6 0	Hex. connecting bar	1	
2 4	KN 2 7 1 7 2 0	Motor speser	1	
2 5	KC 3 3 0 4 1 0	Look connecting rod (2M)	2	
2 6		Hex. socket bolt M8×20		
2 7	A 9 0 6 5 0 2 8	Reversible motor RM-F7A12PEAA(7RHD30)	1	
2 8		Hex. nut M8		
2 9	KN 2 7 1 8 0 0	Drive lever collar	1	
3 0	A 9 0 1 2 0 0 2	Uniball joint (NMB PR-6)	1	

From the library of: Diamond Needle Corp

Бардан

16 Under thread cut sensorium mechanism (7.5)



From the library of: Diamond Needle Corp

MODEL
BEMR-YS
BEMS-YS
BEMX-YS

⑩ Under thread cut sensorium mechanism (7•5)

(N=Needle)

ITEM	LIST No.	DESCRIPTION	Q'TY	REMARK
1	KG 2 4 1 0 3 1	Upper tension unit complete	N×1	
2	KN 5 4 0 6 4 0	P.C board BAP-302-7 (7)	1	
	KN 5 4 0 6 3 0	P.C board BAP-302-5 (5)	1	
3	KN 5 4 0 7 1 1	Sensor cable 2	1	
4	KN 5 4 0 5 4 0	Lower thread sensorium box (7)	1	
	KN 5 4 0 5 3 0	Lower thread sensorium box (5)	1	
5	KN 5 4 0 5 2 0	Lower thread sensorium sensor disk	N×1	
6	KN 5 4 0 5 1 0	Tension wheel nut M2	N×1	
7	KN 5 4 0 6 1 0	Wheel shaft metal	N×1	
8	KN 5 4 0 5 0 0	Tension wheel shaft a'ssy	N×1	
9	KN 5 4 0 5 9 0	Thread guide pin	N×2	
10	KB 2 4 0 0 8 1	Tension base (7)	1	
	KB 2 4 0 0 9 1	Tension base (5)	1	
11	HP 2 4 1 3 8 1	Tension earth plate (7)	1	
	HP 2 4 1 3 7 1	Tension earth plate (5)	1	
12	HP 2 4 1 3 9 0	Tension earth cable	1	
13	KN 5 4 0 7 2 1	Switch cable 3	1	
14	KN 5 4 0 6 5 0	P.C board BAP-303	1	
15	KN 5 4 0 5 8 1	Tension base (7)	1	
	KN 5 4 0 5 7 1	Tension base (5)	1	
16	HP 2 4 1 1 6 0	Upper thread sensorium pin	N×1	
17	HP 2 4 1 4 6 0	Thread guide felt fixing plate (7)	1	
	HP 2 4 1 4 5 0	Thread guide felt fixing plate (5)	1	
18	HP 2 4 1 1 8 0	First thread guide (7)	1	
	HP 2 4 1 1 7 0	First thread guide (5)	1	
19	HP 2 4 1 1 5 0	Base (with screw)	N×1	
20	KN 5 4 0 7 6 0	Dial type tension unit complete	N×1	
21	HP 2 4 1 2 0 0	Second thread guide plate (7)	1	
	HP 2 4 1 1 9 0	Second thread guide plate (5)	1	
22	HP 2 4 1 4 8 0	Thread guide felt (7)	1	
	HP 2 4 1 4 7 0	Thread guide felt (5)	1	
23	KN 5 4 0 6 2 0	P.C board BAP-301	1	
24	KN 5 4 0 7 5 0	Thread cut cable (5)	1	
25	KN 5 4 0 7 3 0	Jamp cable 4	2	
26	KN 5 4 0 7 0 1	Cable 1	2	
27	KN 5 4 1 0 8 0	Spool stand setting specer	1	
28	KN 5 4 0 7 8 0	Tension base label	1	
29	KN 5 4 0 6 0 0	Board fixing nut	8	
30		Truss screw M3×14		
31	KN 5 4 0 8 1 0	P.C board BAP-304	1	
32	KN 5 4 0 8 2 0	Power box K50-12	1	
33		Pan screw M4×8		
34		Hex. nut M8		
35		Truss screw M3×5		
36		Truss screw M4×6		

From the library of: Diamond Needle Corp

I N D E X

L I S T No.	PAGE No.	ITEM	L I S T No.	PAGE No.	ITEM
1 A E 1 5 3 2 0 3 5 0 0	3	1 4	A 9 0 5 2 0 3 0	1 9	3 0
1 B E 1 5 3 2 0 3 5 0 0	3	1	A 9 0 5 2 0 3 0	2 1	4 3
1 J P 1 5 3 2 0	2 9	1	A 9 0 5 2 0 3 1	1 9	4 6
1 K N 1 5 3 2 0 3 5 0 0	3	1 3	A 9 0 5 2 0 3 1	2 1	3 9
1 L K C 4 5 0 0 2 0	1 7	1 3	A 9 0 5 6 0 1 0	3 1	2 7
1 P E 1 5 3 2 0 3 5 0	5	6 2	A 9 0 5 6 0 1 3	3 3	4 1
A 9 0 1 0 0 1 7	5	5	A 9 0 5 6 0 1 8	3 3	1 0
A 9 0 1 0 0 1 7	5	5 4	A 9 0 5 6 0 2 0	9	4 5
A 9 0 1 1 0 1 7	1 3	4	A 9 0 6 5 0 2 8	3 5	2 7
A 9 0 1 1 0 2 1	7	7	E A Y 0 1 7 A 1	2 3	2 5
A 9 0 1 1 0 2 1	9	3 2	E A Y 0 2 1 A 1	2 5	1
A 9 0 1 1 0 2 2	9	3 4	E A Y 0 2 1 A 2	2 3	2 6
A 9 0 1 1 0 2 3	9	3 1	E A Y 0 2 1 A 2	2 5	2 4
A 9 0 1 1 0 6 3	1 9	1 1	E A Y 0 2 1 A 2	2 7	2 2
A 9 0 1 1 0 6 3	2 1	1 6	E A Y 0 2 1 A 3	2 3	2 2
A 9 0 1 1 1 1 5	9	9	E A Y 0 2 1 A 3	2 5	2 5
A 9 0 1 1 1 5 2	7	6	E A Y 0 2 1 A 3	2 7	2 3
A 9 0 1 2 0 0 1	1 5	3 9	E A Y 0 2 2 A 3	2 3	2 2
A 9 0 1 2 0 0 2	1 5	4 0	E A Y 0 2 2 A 3	2 5	2 5
A 9 0 1 2 0 0 2	3 5	3 0	E A Y 0 2 2 A 3	2 7	2 3
A 9 0 1 2 0 0 3	9	6 0	E A Y 0 2 3 A 1	2 7	1
A 9 0 1 2 0 0 5	9	6 0	E B Y 0 0 1 8 0	1 5	6
A 9 0 1 2 0 0 7	5	3 4	E B Y 0 0 4 5 0	2 3	1
A 9 0 1 2 0 5 1	9	5 5	E B Y 0 0 4 6 0	2 3	2
A 9 0 1 2 0 5 2	1 9	2 0	E B Y 0 0 4 7 0	2 3	3
A 9 0 1 2 0 5 2	2 1	5 0	E B Y 0 0 4 8 0	2 3	4
A 9 0 1 2 0 5 3	9	7 5	E B Y 0 0 4 9 0	2 3	5
A 9 0 1 2 0 5 6	3 3	3 4	E B Y 0 0 5 0 0	2 3	2 4
A 9 0 1 2 1 3 7	1 5	5 0	E B Y 0 0 5 1 0	2 3	1 1
A 9 0 1 2 1 4 3	1 5	4 7	E B Y 0 0 5 1 0	2 5	2 1
A 9 0 1 2 1 6 4	7	2 9	E B Y 0 0 5 1 0	2 7	1 1
A 9 0 1 2 1 9 0	9	4	E B Y 0 0 5 2 0	2 3	1 0
A 9 0 1 2 2 0 8	1 5	2 0	E B Y 0 0 5 2 0	2 5	2 0
A 9 0 1 2 2 9 1	9	2 8	E B Y 0 0 5 2 0	2 7	1 0
A 9 0 1 3 0 4 5	3 1	1 5	E B Y 0 0 5 3 0	2 3	8
A 9 0 1 3 0 4 5	3 3	4 3	E B Y 0 0 5 3 0	2 5	9
A 9 0 1 4 0 5 1	9	5 4	E B Y 0 0 5 3 0	2 7	7
A 9 0 1 4 1 6 3	5	5 9	E B Y 0 0 5 4 0	2 3	7
A 9 0 2 0 0 9 8	1 9	7	E B Y 0 0 5 4 0	2 5	8
A 9 0 2 0 0 9 8	2 1	3 3	E B Y 0 0 5 4 0	2 7	5
A 9 0 2 0 2 0 0	1 3	1 6	E B Y 0 0 5 5 0	2 3	9
A 9 0 5 2 0 0 5	3 5	1 4	E B Y 0 0 5 5 0	2 5	1 0
A 9 0 5 2 0 2 4	1 9	2 8	E B Y 0 0 5 5 0	2 7	9
A 9 0 5 2 0 2 4	2 1	3 1	E B Y 0 0 5 6 0	2 3	1 2
A 9 0 5 2 0 2 8	3 3	2 0	E B Y 0 0 5 6 0	2 5	2 2

From the library of: Diamond Needle Corp

I N D E X

L I S T	No.	PAGE No.	ITEM	L I S T	No.	PAGE No.	ITEM
E B Y 0 0 5 6 0		2 7	2 0	H B 2 4 0 0 3 0		9	5 1
E B Y 0 0 5 7 0		2 3	6	H B 2 4 0 0 4 0		9	4 9
E B Y 0 0 5 7 0		2 5	7	H B 2 4 0 0 5 0		9	4 8
E B Y 0 0 5 7 0		2 7	4	H B 2 4 0 0 7 0		9	5 3
E B Y 0 0 6 3 0		2 3	2 1	H B 2 4 0 0 8 0		9	5 8
E B Y 0 0 6 3 0		2 5	2 3	H B 2 4 0 0 9 0		9	5 7
E B Y 0 0 6 3 0		2 7	2 1	H B 2 4 0 1 1 0		9	5 2
E B Y 0 0 8 0 0		1 1	1 2	H B 2 4 0 1 7 1		7	1 8
E B Y 0 0 9 3 0		2 7	2	H B 2 4 0 1 8 0		7	2
E B Y 0 0 9 4 0		2 5	4	H B 2 4 0 2 6 0		1 1	1 1
E B Y 0 0 9 4 0		2 7	3	H B 2 4 0 2 7 0		1 1	1 1
E B Y 0 0 9 5 0		2 5	5	H B 2 4 0 2 8 0		7	1 8
E B Y 0 0 9 5 0		2 7	6	H B 2 4 0 2 9 0		7	2
E B Y 0 0 9 7 0		2 5	3	H B 2 4 0 3 1 0		9	7 9
E B Y 0 0 9 8 0		2 5	6	H H 1 2 0 9 0 0		2 9	7
E B Y 0 0 9 9 0		2 5	2	H H 3 2 0 5 5 0		1 3	2 7
H B 2 2 0 0 1 0		5	5 0	H H 3 3 0 7 6 0		3 5	2 3
H B 2 3 0 1 4 1		9	3 3	H H 4 8 1 9 0 0		1 9	2 3
H B 2 3 0 1 6 0		7	2 0	H H 4 8 1 9 0 0		2 1	2
H B 2 3 0 1 7 0		9	1 3	H H 4 8 1 9 3 1		1 9	2 2
H B 2 3 0 2 7 0		7	2 1	H H 4 8 1 9 3 1		2 1	6
H B 2 3 0 2 9 1		7	4	H H 4 8 1 9 7 0		1 9	1 3
H B 2 3 0 3 1 0		7	1 5	H H 4 8 1 9 7 0		2 1	1 7
H B 2 3 0 3 2 0		7	1 1	H H 4 8 1 9 8 0		1 9	9
H B 2 3 0 3 3 1		7	1 2	H H 4 8 1 9 9 1		1 9	1 7
H B 2 3 0 3 7 1		9	1 0	H H 4 8 1 9 9 1		2 1	4 7
H B 2 3 0 3 8 1		9	5	H H 4 8 2 1 1 0		1 9	1 8
H B 2 3 0 3 9 0		9	3	H H 4 8 2 1 1 0		2 1	4 8
H B 2 3 0 4 0 0		9	1	H P 2 3 1 3 9 0		5	1 3
H B 2 3 0 4 1 4		9	1 2	H P 2 4 1 1 1 2		1 1	6
H B 2 3 0 4 2 0		9	1 1	H P 2 4 1 1 2 2		1 1	6
H B 2 3 0 4 3 1		9	3 0	H P 2 4 1 1 5 0		1 1	2
H B 2 3 0 4 4 1		9	3 0	H P 2 4 1 1 5 0		3 7	1 9
H B 2 3 0 4 6 0		9	4 2	H P 2 4 1 1 6 0		1 1	7
H B 2 3 0 4 7 0		9	4 3	H P 2 4 1 1 6 0		3 7	1 6
H B 2 3 0 5 1 0		9	1 7	H P 2 4 1 1 7 0		1 1	3
H B 2 3 0 5 2 1		9	1 6	H P 2 4 1 1 7 0		3 7	1 8
H B 2 3 0 5 3 1		9	1 5	H P 2 4 1 1 8 0		1 1	3
H B 2 3 0 5 4 0		9	1 8	H P 2 4 1 1 8 0		3 7	1 8
H B 2 3 0 5 5 0		9	2 9	H P 2 4 1 1 9 0		3 7	2 1
H B 2 3 0 5 6 0		9	7 2	H P 2 4 1 2 0 0		3 7	2 1
H B 2 3 0 5 8 0		9	7 7	H P 2 4 1 3 7 1		1 1	8
H B 2 3 0 5 9 0		9	2	H P 2 4 1 3 7 1		3 7	1 1
H B 2 3 0 6 5 0		7	3 5	H P 2 4 1 3 8 1		1 1	8
H B 2 4 0 0 2 0		9	5 0	H P 2 4 1 3 8 1		3 7	1 1

From the library of: Diamond Needle Corp

I N D E X

L I S T No.	PAGE No.	ITEM	L I S T No.	PAGE No.	ITEM
HP 2 4 1 3 9 0	3 7	1 2	KB 2 3 0 1 3 0	7	1 9
HP 2 4 1 4 1 0	1 1	1	KB 2 3 0 1 4 0	7	1 7
HP 2 4 1 4 5 0	1 1	4	KB 2 3 0 1 5 0	7	1 6
HP 2 4 1 4 5 0	3 7	1 7	KB 2 3 0 1 6 1	7	1
HP 2 4 1 4 6 0	1 1	4	KB 2 3 0 1 7 0	9	4 4
HP 2 4 1 4 6 0	3 7	1 7	KB 2 4 0 0 1 0	7	1 4
HP 2 4 1 4 7 0	1 1	1 0	KB 2 4 0 0 2 1	7	3
HP 2 4 1 4 7 0	3 7	2 2	KB 2 4 0 0 3 0	9	4 7
HP 2 4 1 4 8 0	1 1	1 0	KB 2 4 0 0 4 0	9	5 6
HP 2 4 1 4 8 0	3 7	2 2	KB 2 4 0 0 5 1	1 1	1 3
HP 2 5 0 0 5 0	1 1	2 0	KB 2 4 0 0 6 0	1 1	1 6
HP 2 7 2 5 5 0	3 1	1	KB 2 4 0 0 7 0	1 1	1 6
HP 2 7 2 5 6 0	3 1	2	KB 2 4 0 0 8 1	3 7	1 0
HP 2 7 2 5 7 0	3 1	2 6	KB 2 4 0 0 9 1	3 7	1 0
HP 3 2 1 1 4 0	5	6 0	KB 2 4 0 1 0 0	1 1	1 5
HP 4 8 2 9 4 0	1 9	8	KB 2 4 0 2 8 0	3 7	5 2
HP 4 8 2 9 4 0	2 1	3 4	KB 2 5 0 0 2 0	1 1	1 7
HP 4 8 2 9 5 0	1 9	5	KB 2 5 0 0 3 0	1 1	1 8
HP 4 8 2 9 5 0	2 1	3 0	KB 2 5 0 0 4 0	1 1	1 9
HP 4 8 2 9 8 0	1 9	1 9	KB 2 5 0 0 5 0	1 1	2 1
HP 4 8 2 9 8 0	2 1	3 2	KB 2 5 0 0 6 0	1 1	2 2
HP 4 8 2 9 9 0	1 9	1 0	KC 1 1 0 9 1 0	3	4
HP 4 8 2 9 9 0	2 1	1 2	KC 1 1 0 9 7 0	2 9	8
HP 4 8 3 1 1 1	2 1	2 6	KC 1 2 0 8 1 0	3	1 0
HP 4 8 3 3 7 0	1 9	1	KC 1 2 0 8 3 0	3	8
HP 4 8 3 3 7 0	2 1	2 7	KC 1 2 0 8 4 1	3	9
HP 4 8 3 3 9 0	1 9	2	KC 1 2 0 8 6 0	3	2
HP 4 8 3 4 5 0	2 1	3 6	KC 1 3 0 1 9 1 2 3 0 3 5	3	1 5
HP 5 4 0 8 4 0	3 7	4 9	KC 1 4 0 3 3 0	3	6
HP 5 4 0 8 5 0	3 7	4 7	KC 2 2 0 2 1 0	5	4 0
HP 5 4 0 8 6 0	3 7	4 8	KC 2 7 0 1 0 1	3 3	4 0
HP 7 1 0 7 9 0	2 9	3	KC 2 7 0 2 7 1	3 3	2 8
KB 2 1 0 1 6 0	5	6 4	KC 2 7 0 2 8 3	3 3	2 4
KB 2 1 0 1 7 0	9	4 6	KC 2 7 0 2 9 2	3 3	2 9
KB 2 1 0 1 8 0	5	6 5	KC 2 7 0 3 0 1	3 3	2 7
KB 2 3 0 0 3 0	5	3 1	KC 2 7 0 4 0 0	3 3	3 8
KB 2 3 0 0 4 0	5	3 1	KC 2 7 0 7 6 1	3 3	2 3
KB 2 3 0 0 5 0	5	3 3	KC 2 7 0 9 6 0	3 1	1 1
KB 2 3 0 0 6 0	9	8	KC 2 7 0 9 7 0	3 1	1 4
KB 2 3 0 0 7 0	9	7	KC 2 7 0 9 8 0	3 1	1 2
KB 2 3 0 0 8 0	9	6	KC 2 7 1 4 4 0	3 5	2
KB 2 3 0 0 9 0	7	5	KC 3 1 2 8 9 0	1 3	2 9
KB 2 3 0 1 0 0	7	8	KC 3 1 2 9 1 1	1 3	2 1
KB 2 3 0 1 1 0	7	9	KC 3 1 2 9 2 1	1 3	3 1
KB 2 3 0 1 2 0	7	1 0	KC 3 2 0 5 9 0	1 3	2 6

From the library of: Diamond Needle Corp

I N D E X

L I S T No.	PAGE No.	ITEM	L I S T No.	PAGE No.	ITEM
K C 3 2 0 8 2 0	5	5 6	K F 2 2 0 4 7 0	5	2 6
K C 3 3 0 1 3 0	1 5	7	K F 2 2 0 4 8 0	5	3 5
K C 3 3 0 1 6 0	1 5	9	K F 2 2 0 5 1 0	5	4 6
K C 3 3 0 1 7 0	1 5	3	K F 2 2 0 7 5 0	5	5 0
K C 3 3 0 1 8 0	1 5	1 0	K F 2 3 0 1 5 0	1 5	2 2
K C 3 3 0 1 8 0	3 5	3	K F 2 3 0 2 1 0	9	2 7
K C 3 3 0 1 9 0	1 5	8	K F 2 3 0 2 3 0	9	2 2
K C 3 3 0 2 1 0	1 5	2 5	K F 2 3 0 2 4 0	9	2 3
K C 3 3 0 2 3 0	1 5	4 8	K F 2 3 0 2 5 0	9	2 4
K C 3 3 0 2 6 0	1 5	3 1	K F 2 3 0 3 6 0	1 5	1 7
K C 3 3 0 2 8 0	1 5	2	K F 2 3 0 4 2 0	5	3 0
K C 3 3 0 2 9 0	1 5	5 2	K F 2 3 0 5 0 0	7	1 3
K C 3 3 0 3 1 0 3 8 0	9	5 9	K F 2 3 0 5 8 0	7	2 2
K C 3 3 0 4 1 0	9	4 1	K F 2 3 0 5 8 0	3 3	2 5
K C 3 3 0 4 1 0	3 5	2 5	K F 2 3 0 6 3 0	9	3 8
K C 3 3 0 5 1 0	1 5	3 8	K F 2 3 0 6 3 0	1 5	4 2
K C 3 3 0 6 1 0	1 5	2 1	K F 2 3 0 6 4 0	9	3 9
K C 3 3 0 8 1 0	1 5	2 7	K F 2 3 0 6 4 0	3 1	2 5
K C 3 3 0 8 5 0	1 5	4 3	K F 2 3 0 6 5 0	9	3 7
K C 3 3 0 9 1 0	1 5	3 2	K F 2 3 0 6 6 1	9	3 6
K C 4 5 0 0 2 0	1 7	1	K F 2 3 0 6 7 0	9	3 5
K C 4 7 0 4 6 0	2 1	2 0	K F 2 3 0 9 1 0	9	2 0
K C 4 8 0 1 5 1	1 7	8	K F 2 3 0 9 2 0	9	2 6
K C 4 8 0 1 6 0	1 7	7	K F 2 3 0 9 3 0	9	2 1
K C 4 8 0 3 5 0	1 7	1 1	K F 2 4 0 9 0 0	2 9	2
K C 5 2 0 0 2 0	2 3	1 9	K F 2 5 0 9 0 0	5	4 2
K C 5 2 0 0 2 0	2 5	1 7	K F 3 3 0 3 8 1	9	4 0
K C 5 2 0 0 2 0	2 7	1 8	K F 5 3 0 1 1 1	2 3	1 5
K C 5 3 0 2 3 0	2 3	1 6	K F 5 3 0 1 1 1	2 5	1 3
K C 5 3 0 2 3 0	2 5	1 4	K F 5 3 0 1 1 1	2 7	1 4
K C 5 3 0 2 3 0	2 7	1 5	K F 5 3 0 1 2 0	2 3	1 5
K C 5 3 0 2 4 0	2 3	1 4	K F 5 3 0 1 2 0	2 5	1 3
K C 5 3 0 2 4 0	2 5	1 2	K F 5 3 0 1 2 0	2 7	1 4
K C 5 3 0 2 4 0	2 7	1 3	K F 5 3 0 1 5 0	2 3	1 7
K C 7 1 0 2 7 0	2 9	2 0	K F 5 3 0 1 5 0	2 5	1 5
K C 7 1 0 4 1 0	2 9	2 1	K F 5 3 0 1 5 0	2 7	1 6
K F 2 2 0 1 3 0	5	1 1	K F 5 3 0 1 6 0	2 3	1 3
K F 2 2 0 2 3 0	5	4 4	K F 5 3 0 1 6 0	2 5	1 1
K F 2 2 0 2 7 0	5	2 7	K F 5 3 0 1 6 0	2 7	1 2
K F 2 2 0 2 9 0	5	3 7	K F 5 3 0 1 7 0	2 3	2 3
K F 2 2 0 3 0 2	5	5 2	K F 5 3 0 1 7 0	2 5	1 9
K F 2 2 0 4 1 0 0	5	5 1	K F 5 3 0 1 7 0	2 7	8
K F 2 2 0 4 2 1	5	5 1	K F 7 1 0 2 8 0	2 9	9
K F 2 2 0 4 4 0	5	5 2	K F 7 1 0 3 0 0	2 9	5
K F 2 2 0 4 6 0	5	1 9	K F 7 1 0 4 1 0	2 9	2 1

From the library of: Diamond Needle Corp

I N D E X

L I S T	No.	PAGE No.	ITEM	L I S T	No.	PAGE No.	ITEM
K F 7 3 0 7 9 0		1 7	1 4	K L 2 7 0 1 3 0		3 3	1 6
K G 2 3 0 0 2 0		9	1 9	K L 2 7 0 1 4 0		3 3	1 4
K G 2 3 0 6 1 0		1 5	4 9	K L 2 7 0 1 5 0		3 3	1 3
K G 2 4 1 0 2 0		1 1	5	K L 2 7 0 2 6 0		3 3	1 9
K G 2 4 1 0 3 1		2 9	4	K L 2 7 0 4 0 0		3 3	4 7
K G 2 4 1 0 3 1		3 7	1	K L 2 7 0 4 1 0		3 3	4 2
K G 2 5 0 0 1 0		1 1	2 0	K L 2 7 0 4 2 0		3 3	4 5
K G 2 7 0 2 8 2		3 3	2 4	K L 2 7 0 4 3 0		3 3	4 4
K G 2 7 0 3 1 0		3 3	2 6	K L 2 7 0 4 4 0		3 3	4 6
K G 2 7 0 7 6 0		3 3	2 3	K L 2 7 0 4 5 0		3 3	5 0
K G 3 3 0 1 5 0		1 5	1 2	K L 3 1 0 0 5 2		1 3	1 9
K G 3 3 0 2 2 0		1 5	1 4	K L 3 1 0 0 7 1		1 3	3 4
K G 7 1 0 1 6 1		2 9	6	K L 3 1 0 0 8 1		1 3	3 8
K L 2 1 0 1 4 0		5	1 7	K L 3 1 0 0 9 1		1 3	2
K L 2 2 0 0 0 0		5	1 6	K L 3 1 0 1 0 0		1 3	3 3
K L 2 2 0 0 1 0		5	2 4	K L 3 2 0 0 0 0		5	6 3
K L 2 2 0 0 2 0		5	2 9	K L 3 2 0 0 2 0		5	5 3
K L 2 2 0 0 3 0		5	1 5	K L 3 3 0 0 1 0		1 5	3 5
K L 2 2 0 0 4 0		5	6	K L 3 3 0 0 2 0		1 5	2 3
K L 2 2 0 0 5 0		5	2 1	K L 3 3 0 0 4 0		1 5	1 8
K L 2 2 0 0 6 0		5	2 5	K L 3 3 0 0 5 0		1 5	1 6
K L 2 2 0 0 7 0		5	3 6	K L 5 4 0 1 4 0		3 7	4 3
K L 2 2 0 0 8 0		5	1 2	K N 1 4 0 9 5 0		3	7
K L 2 2 0 0 9 0		5	4	K N 2 1 0 2 1 0		5	6 5
K L 2 2 0 1 0 0		5	1	K N 2 3 1 3 5 0		9	1 4
K L 2 2 0 1 2 0		5	4 1	K N 2 3 1 7 0 0		9	2 5
K L 2 2 0 1 3 0		5	1 4	K N 2 5 0 1 3 1		5	4 3
K L 2 2 0 1 4 0		5	2 0	K N 2 5 0 1 3 1		3 1	8
K L 2 2 0 1 5 0		5	8	K N 2 7 0 9 5 0		3 1	1 3
K L 2 3 0 1 8 0		9	7 9	K N 2 7 1 1 9 0		3 1	7
K L 2 5 0 0 4 0		5	7	K N 2 7 1 2 2 0		3 1	6
K L 2 5 0 0 5 1		5	5 7	K N 2 7 1 5 2 1		3 1	1
K L 2 7 0 0 0 0		3 3	3 0	K N 2 7 1 5 6 0		3 1	1 7
K L 2 7 0 0 1 0		3 3	3 2	K N 2 7 1 6 0 2		3 1	5
K L 2 7 0 0 2 0		3 3	3 1	K N 2 7 1 6 1 0		3 1	4
K L 2 7 0 0 3 0		3 3	3 3	K N 2 7 1 6 2 0		3 1	2 6
K L 2 7 0 0 4 0		3 3	3 5	K N 2 7 1 6 3 0		3 1	3 2
K L 2 7 0 0 5 0		3 3	3 6	K N 2 7 1 6 4 3		3 1	3 4
K L 2 7 0 0 6 0		3 3	3 7	K N 2 7 1 6 5 1		3 1	2 8
K L 2 7 0 0 7 0		3 3	3 9	K N 2 7 1 6 6 2		3 1	2 9
K L 2 7 0 0 8 1		3 3	1 1	K N 2 7 1 6 7 0		3 1	2 1
K L 2 7 0 0 9 1		3 3	2 1	K N 2 7 1 7 0 0		3 5	2 0
K L 2 7 0 1 0 1		3 3	1 5	K N 2 7 1 7 1 2		3 5	8
K L 2 7 0 1 1 0		3 3	1 8	K N 2 7 1 7 2 0		3 5	2 4
K L 2 7 0 1 2 0		3 3	1 7	K N 2 7 1 7 3 1		3 5	1 5

From the library of: Diamond Needle Corp

I N D E X

L I S T No.	PAGE No.	ITEM	L I S T No.	PAGE No.	ITEM
KN 2 7 1 7 5 0	3 5	1 1	KN 4 9 0 1 5 0	2 1	4
KN 2 7 1 7 8 1	3 5	1 0	KN 5 1 1 0 2 0	1 3	2 8
KN 2 7 1 8 0 0	3 5	2 9	KN 5 4 0 5 0 0	3 7	8
KN 2 7 1 9 8 0	3 1	2	KN 5 4 0 5 1 0	3 7	6
KN 2 7 1 9 9 0	3 5	9	KN 5 4 0 5 2 0	3 7	5
KN 2 7 2 0 0 1	3 1	2 3	KN 5 4 0 5 3 0	3 7	4
KN 2 7 2 3 5 0	3 5	1 2	KN 5 4 0 5 4 0	3 7	4
KN 2 7 2 5 4 0	3 1	1 6	KN 5 4 0 5 7 1	3 7	1 5
KN 3 1 0 0 0 0	1 3	1 1	KN 5 4 0 5 8 1	3 7	1 5
KN 3 1 0 0 1 0	1 3	1 5	KN 5 4 0 5 9 0	3 7	9
KN 3 1 0 0 5 0	1 3	8	KN 5 4 0 6 0 0	3 7	2 9
KN 3 1 2 8 1 0	1 3	1 7	KN 5 4 0 6 1 0	3 7	7
KN 3 1 2 8 2 0	1 3	2 4	KN 5 4 0 6 2 0	3 7	2 3
KN 3 1 2 9 4 0	1 3	5	KN 5 4 0 6 3 0	3 7	2
KN 3 1 3 6 7 0	1 3	1 0	KN 5 4 0 6 4 0	3 7	2
KN 3 1 5 1 1 0	1 3	1 3	KN 5 4 0 6 5 0	3 7	1 4
KN 3 1 5 1 3 0	1 3	7	KN 5 4 0 6 7 0	3 7	4 4
KN 3 3 0 1 1 0	2 1	1	KN 5 4 0 7 0 1	3 7	2 6
KN 3 3 0 1 3 0	1 5	5 4	KN 5 4 0 7 1 1	3 7	3
KN 3 3 0 2 4 0	1 5	4 5	KN 5 4 0 7 2 1	3 7	1 3
KN 3 3 0 2 5 0	1 5	4 6	KN 5 4 0 7 3 0	3 7	2 5
KN 3 3 2 0 1 0	1 5	3 7	KN 5 4 0 7 5 0	3 7	2 4
KN 4 5 0 3 0 0	1 9	2 6	KN 5 4 0 7 6 0	3 7	2 0
KN 4 5 0 3 0 0	2 1	5 1	KN 5 4 0 7 8 0	3 7	2 8
KN 4 5 0 3 1 1	2 1	4 2	KN 5 4 0 8 1 0	3 7	3 1
KN 4 7 0 1 5 1	1 9	2 4	KN 5 4 0 8 2 0	3 7	3 2
KN 4 7 0 1 6 1	2 1	8	KN 5 4 1 0 8 0	3 7	2 7
KN 4 8 0 0 6 1	1 9	1 5	KU 2 4 1 4 0 0	1 1	1 4
KN 4 8 0 0 6 1	2 1	1 9	KU 4 6 0 2 7 0	1 9	2 9
KN 4 8 0 1 2 0	1 7	1 0	KU 4 6 0 2 7 0	2 1	2 3
KN 4 8 0 4 0 0	1 7	2	KU 4 6 0 3 4 2	1 9	2 5
KN 4 8 2 0 0 0	1 9	1 6	MT 4 6 0 2 4 0	1 9	2 7
KN 4 8 2 0 0 0	2 1	4 4	MT 4 6 0 2 4 0	2 1	9
KN 4 8 2 0 1 0	1 9	1 2	WW 3 1 0 2 1 0	1 3	2 3
KN 4 8 2 8 7 1	1 9	4			
KN 4 8 2 8 8 0	1 9	6			
KN 4 8 2 8 9 0	2 1	1 1			
KN 4 8 3 4 0 0	1 9	2 1			
KN 4 8 3 4 1 0	2 1	3 7			
KN 4 8 3 4 4 2	1 9	3			
KN 4 8 3 4 5 0	1 9	1 4			
KN 4 8 3 4 6 0	1 9	3			
KN 4 9 0 1 2 1	2 1	1 5			
KN 4 9 0 1 3 0	2 1	1 4			
KN 4 9 0 1 4 0	2 1	1 3			

From the library of: Diamond Needle Corp